


Eclipse Single-Ended Ceramic Radiant Tube Burners

Model SER 600
Version 5

| Parameter | Typical Burner Input 1000's BTU/hr (kW) | | |
|--|---|-------------|-------------|
| | 50 (14.6) | 100 (29.3) | 200 (58.6) |
| Low firing rate, 1000's Btu/h (kW)¹ <i>Between 150 - 220% excess air</i> | 10 (3.0) | 10 (3.0) | 10 (3.0) |
| Total static air pressure required, "w.c. (mbar)² <i>(558mm recuperator length)</i> | 7.0 (17.4) | 11.0 (27.4) | 24.2 (60.2) |
| Air flow, SCFH (Nm³/hr) <i>At 15% excess air</i> | 560 (15.0) | 1120 (30.0) | 2240 (60.0) |
| Gas Inlet Pressure Required, "w.c. (mbar)³ <i>Tap B (see page 4)</i> | 5.0 (12.4) | 11.3 (28.1) | 16.1 (40.1) |
| Maximum Furnace Temperature <i>Refer to page 3 for maximum heat flux</i> | 2000°F (1090°C) | | |
| Piping | NPT or BSP interface is available | | |
| Flame detection | UV Scanner | | |
| Ignition | Direct Spark Ignition (6 kVAC) | | |
| Fuels <i>For any other mixed gas contact Eclipse</i> | Natural Gas | | |
| Weight, lbs (kg)⁴ <i>Burner Length "M" (less mounting extension, inner and outer tubes)</i> | 55 (25.1) | | |
| Approvals |  | | |

¹ The low fire rate represents the capability of the burner. Achievement of this rate will be affected by the control method and ratio regulator used in the system design. Typical ratio regulators provide a 10 to 1 turndown from high to low fire.

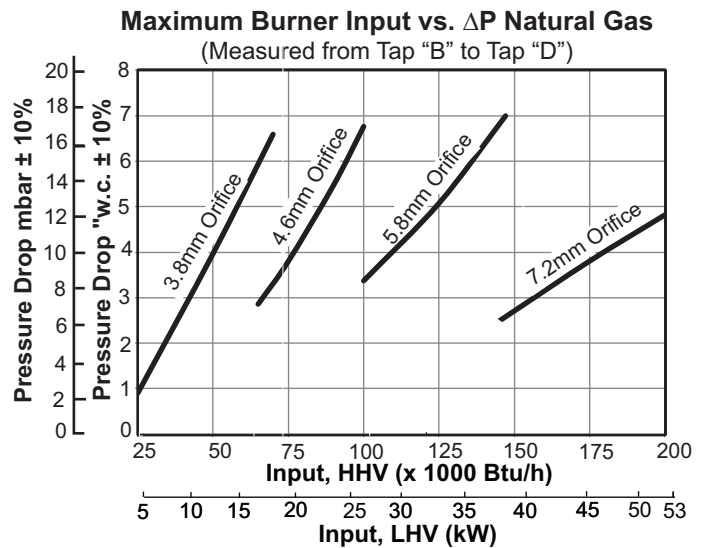
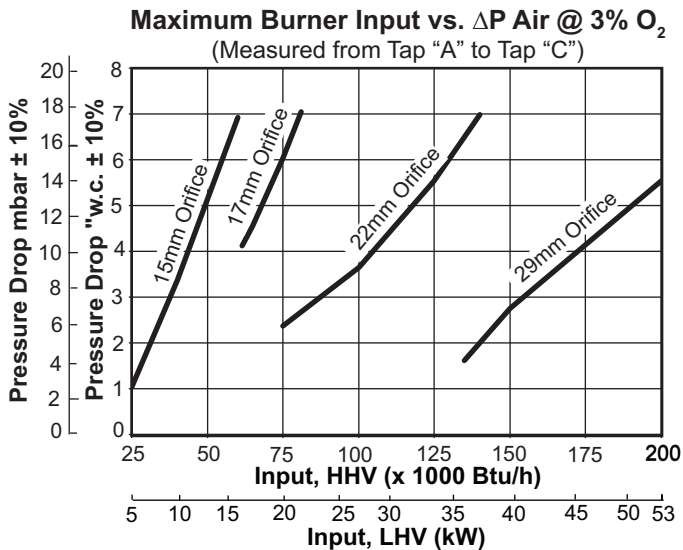
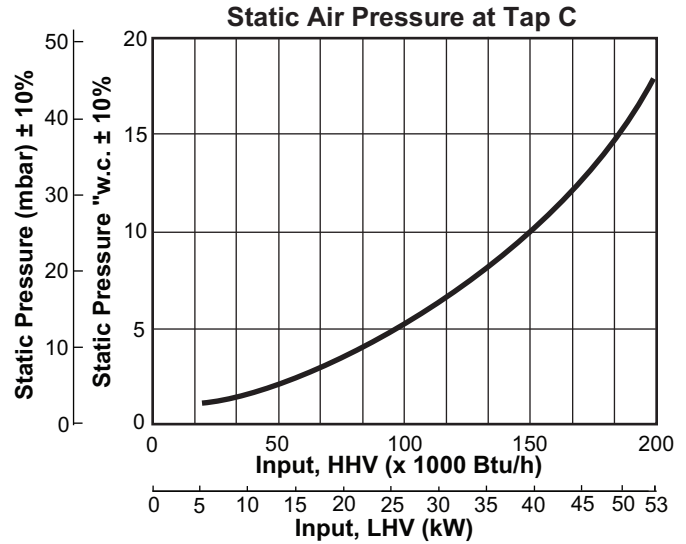
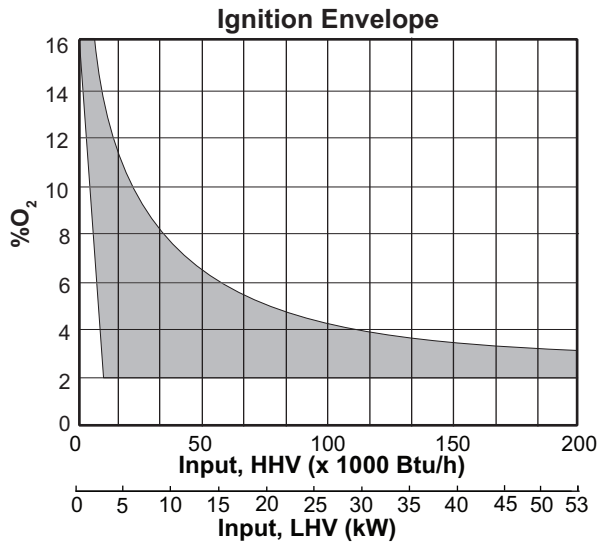
² Air supply pressure required at the burner inlet is static pressure at Tap C plus the pressure drop across Tap A to Tap C. See graphs on page 2.

³ If a ratio regulator is being used, the gas pressure into the ratio regulator should be at least 5" w.c. above the static air pressure at Tap A.

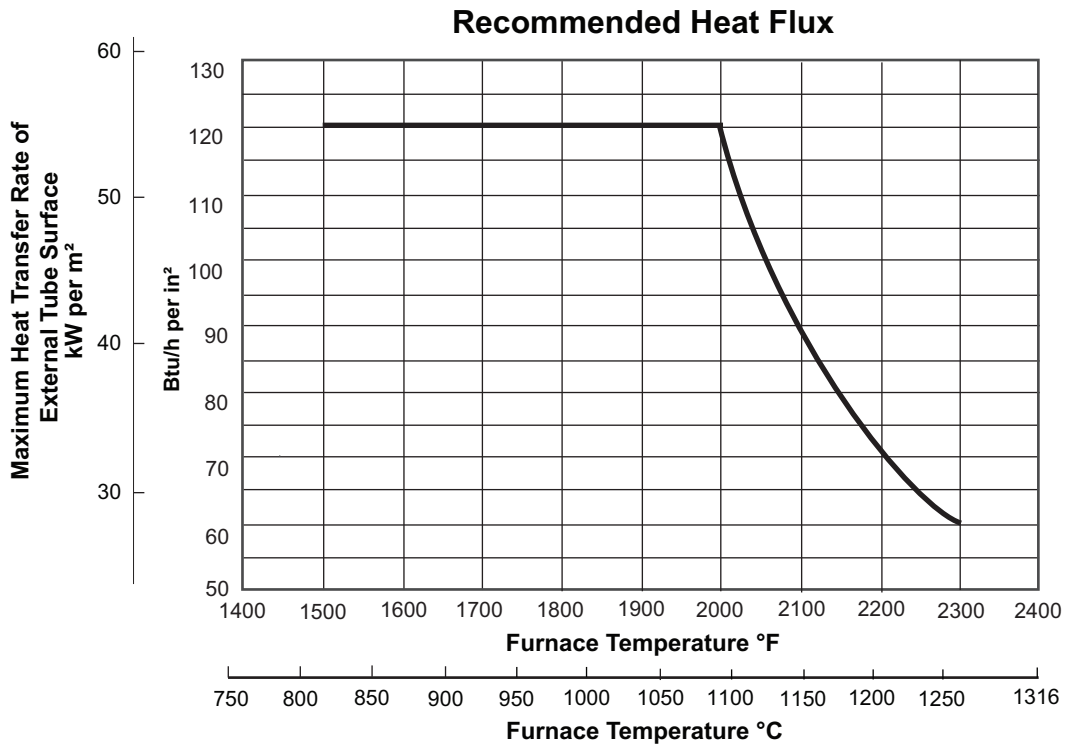
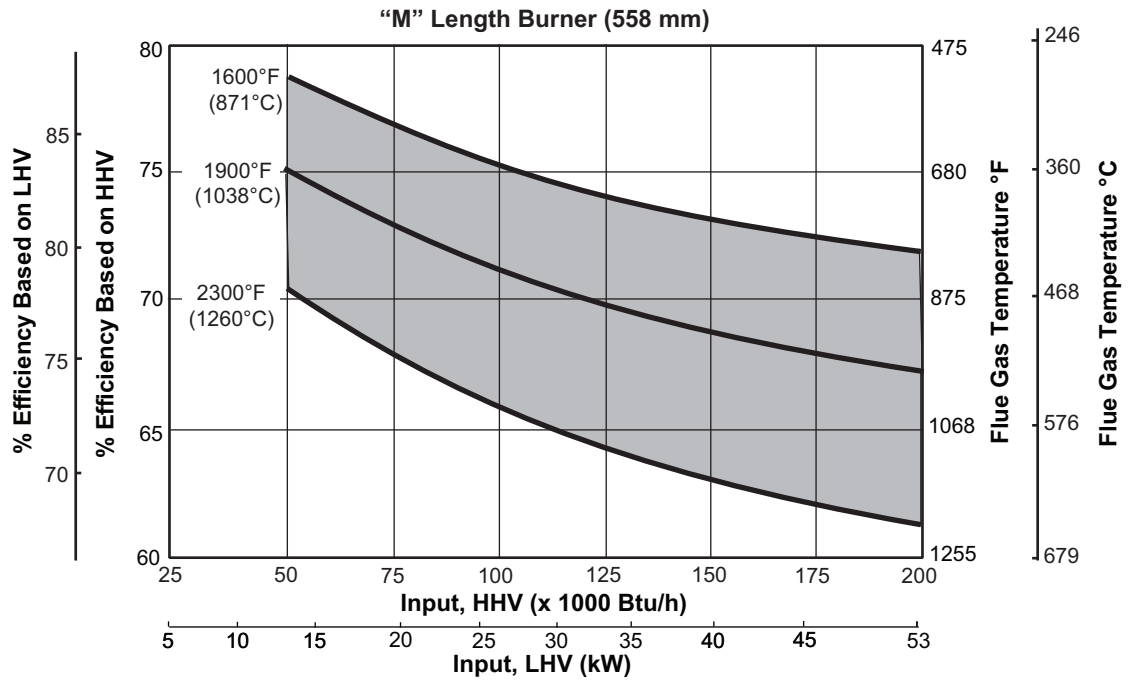
⁴ All weights are approximate.

- All information is based on laboratory testing with neutral (0.0" w.c.) exhaust conditions.
- All inputs based upon gross calorific values and standard conditions: 1 atmosphere, 70°F (21°C).
- Air and fuel pressure data given in this document are based on 15% excess air and hot furnace conditions.
- Plumbing of gas will affect accuracy of orifice readings. All information based on general acceptable air and gas piping practices.
- Eclipse reserves the right to change the construction and/or configuration of our products at any time without being obliged to adjust earlier supplies accordingly.

Performance Graphs

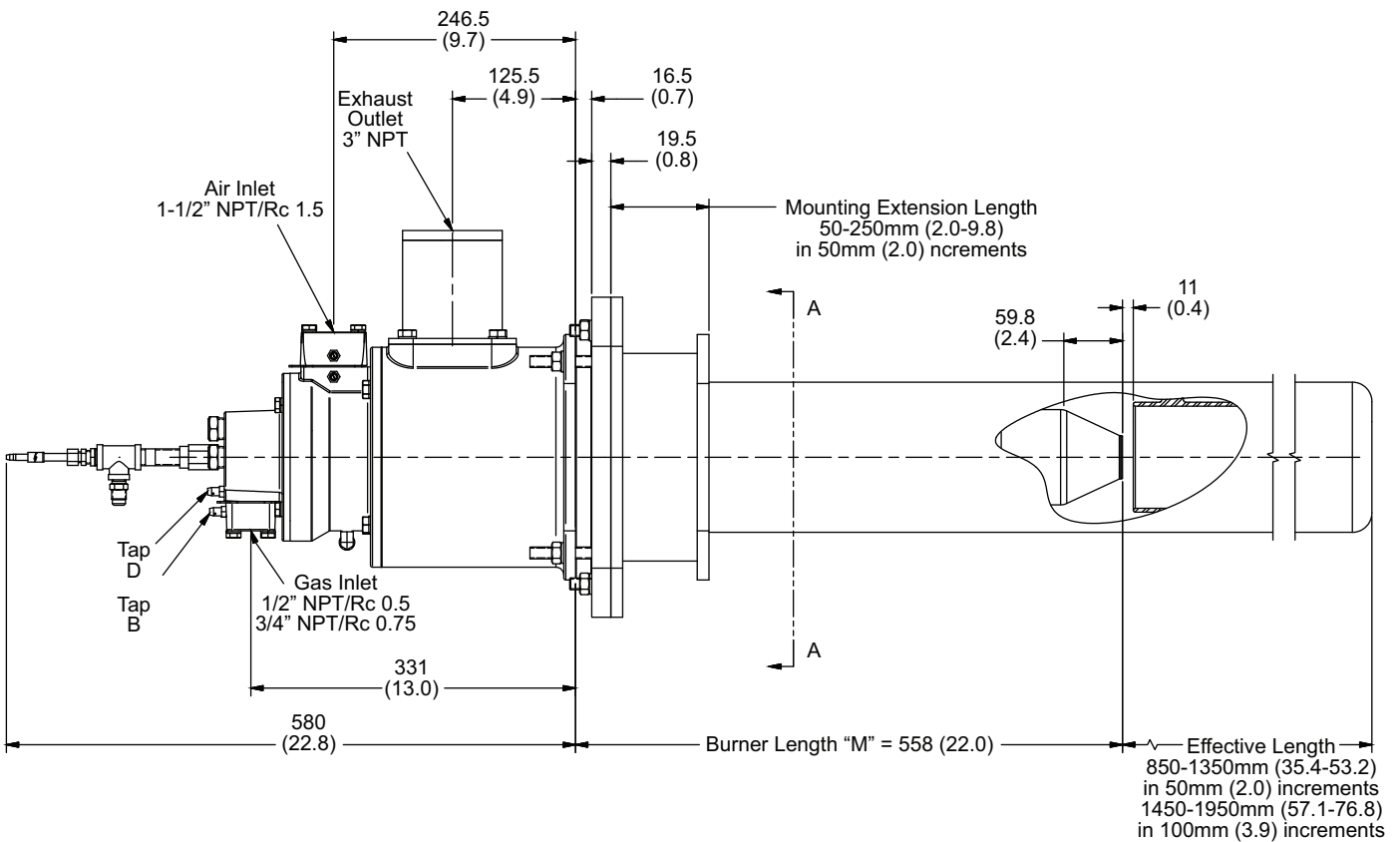
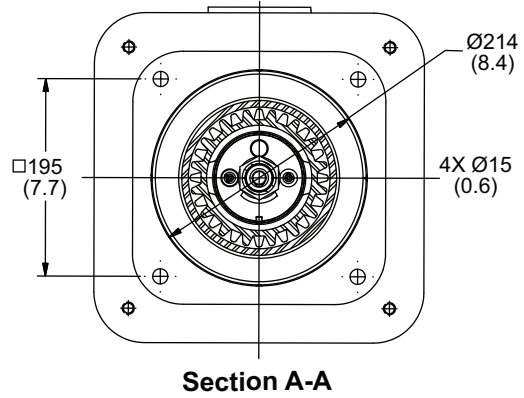
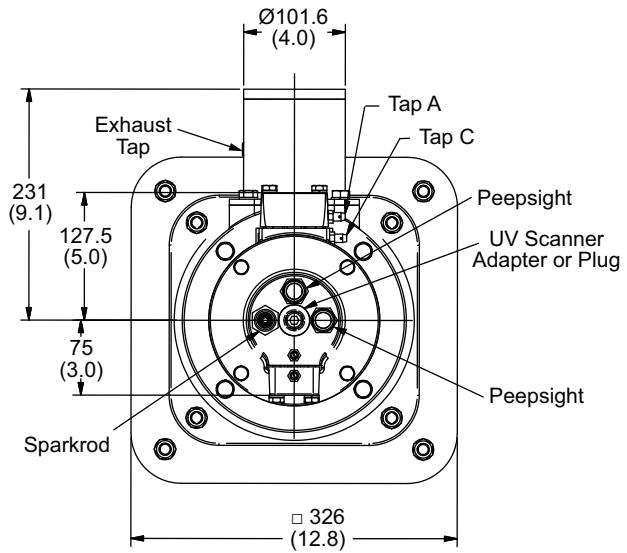


Efficiency Graphs



Horizontally Mounted Burner Dimensions & Specifications

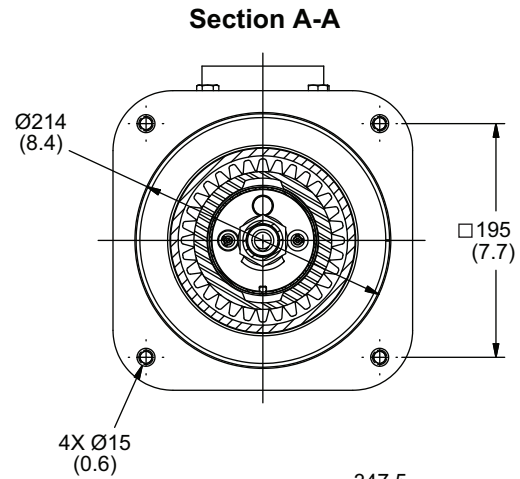
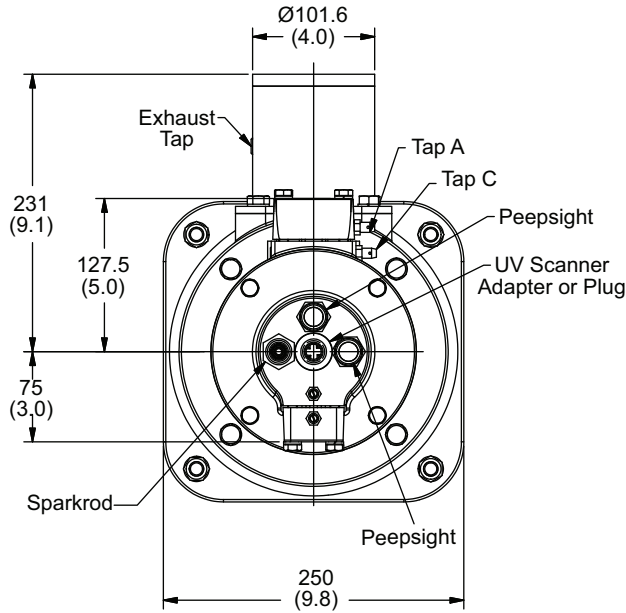
Dimensions in mm (inches)



Vertically Mounted Burner

Dimensions & Specifications

Dimensions in mm (inches)



Vertically Mounted Outer Tube Option

