


ImmersoJet

Burners

Model IJ-2

Version 2

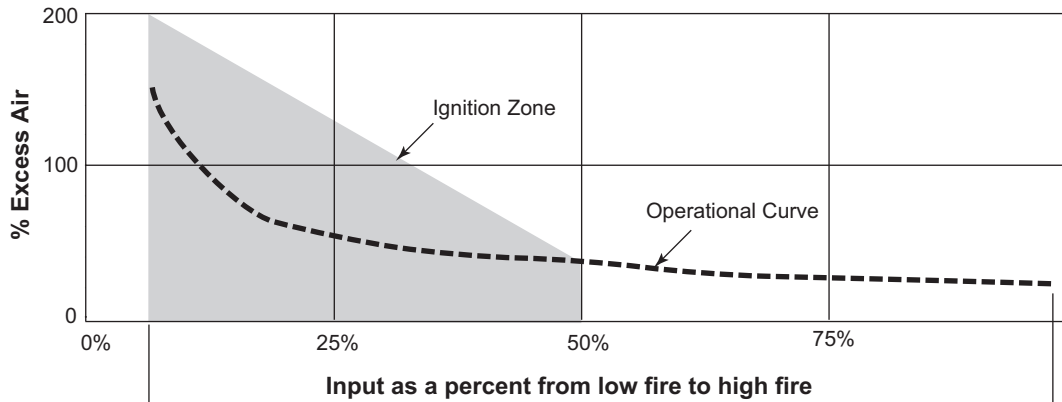
Parameter	Blower Size		
Blower Type	Low Pressure Packaged Blower (60 Hz)	High Pressure Packaged Blower (60 Hz)	Remote Blower
Maximum Input BTU/hr (kW)	190,000 (55.6)	235,000 (68.9)	370,000 (108.4) Butane & Propane 340,000 (100) Natural Gas
Minimum Input BTU/hr (kW)	25,000 (7.3)	25,000 (7.3)	25,000 (7.3)
Air Inlet Pressure "w.c. (mbar) @ Max Input Air pressure at burner inlet (Tap "A")	7.4 (18.4)	10.8 (26.8)	26.5 (65.9)
Blower Motor Hp (kW)	0.25 (0.2)	0.33 (0.3)	As Specified
Main Gas Pressure Supplied to Regulator "w.c. (mbar)	12.0 - 27.7 (29.9 - 68.9)	13.0 - 27.7 (32.3 - 68.9)	27.0 - 27.7 (67.2 - 68.9)
Backpressure "w.c. (mbar)	1.0 (2.5)	1.5 (3.7)	3.7 (9.2)
Weight lbs (kg)	70 (31.8)	75 (34.0)	45 (20.0)
CO Emissions (ppm)	<100	<100	<100
Piping	NPT or BSP		
Flame Detection	Flamerod or UV Scanner		
Fuel¹ <i>For any other mixed gas, contact Eclipse.</i>	Natural Gas, Propane, Butane		
Approvals	 AI30		

¹ Different fuels require different nozzles and orifices.

- All information is based on laboratory testing with a tube effective length of 21.6 feet (6.58 m). Different tube sizes and conditions may affect the data.
- All information is based on standard tube design. Changes in the tube will alter performance and pressures.
- All inputs based upon gross calorific values (HHV).
- Eclipse reserves the right to change the construction and/or configuration of our products at any time without being obliged to adjust earlier supplies accordingly.
- Plumbing of air and gas will affect accuracy of orifice readings. All information is based on generally acceptable air and gas piping practices.
- Packaged blower performance data based on 60 Hz.

Performance Graphs

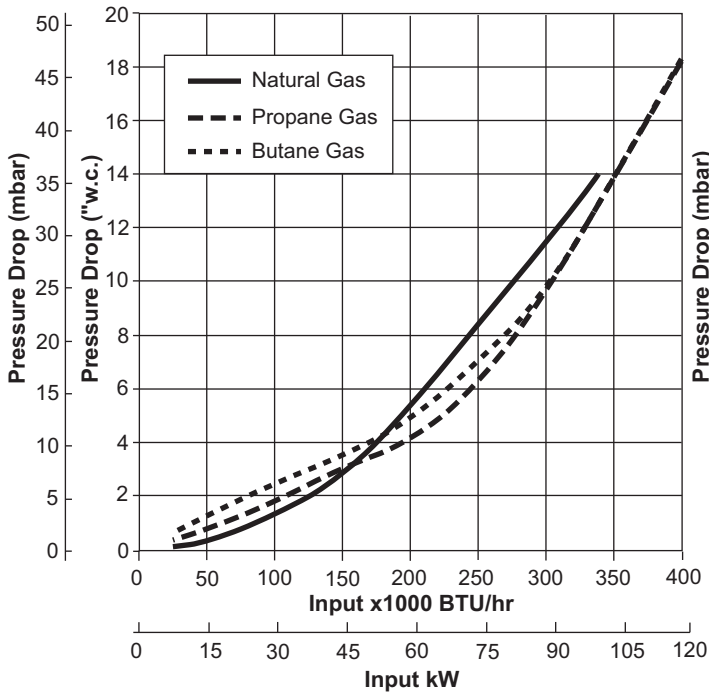
Typical Operational Curve & Ignition Zone (Natural Gas, Propane, & Butane)



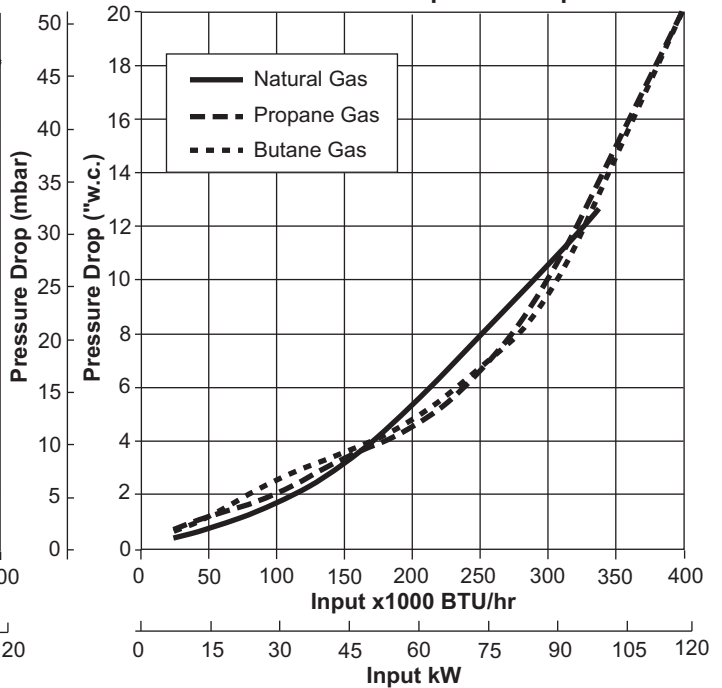
Low Fire:
25,000 BTU/hr (8,2 kW)
(Regardless of Blower)

High Fire:
190,000 BTU/hr (55,7 kW) (6" w.c. Blower)
235,000 BTU/hr (68,9 kW) (10" w.c. Blower)
340,000 BTU/hr (100 kW) (Remote Blower) (Natural Gas)
370,000 BTU/hr (108,4 kW) (Remote Blower) (Butane & Propane)

Gas Orifice Δp vs. Input Measured from Tap "B" to Tap "D"

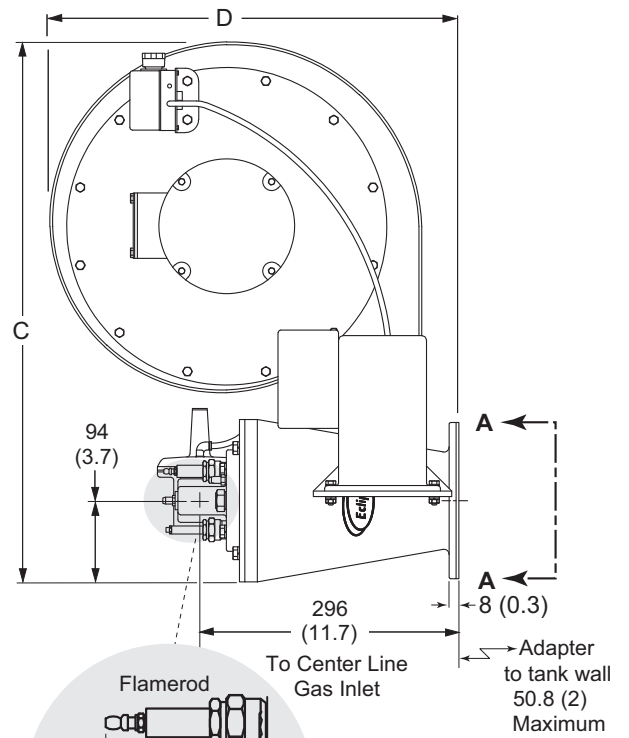
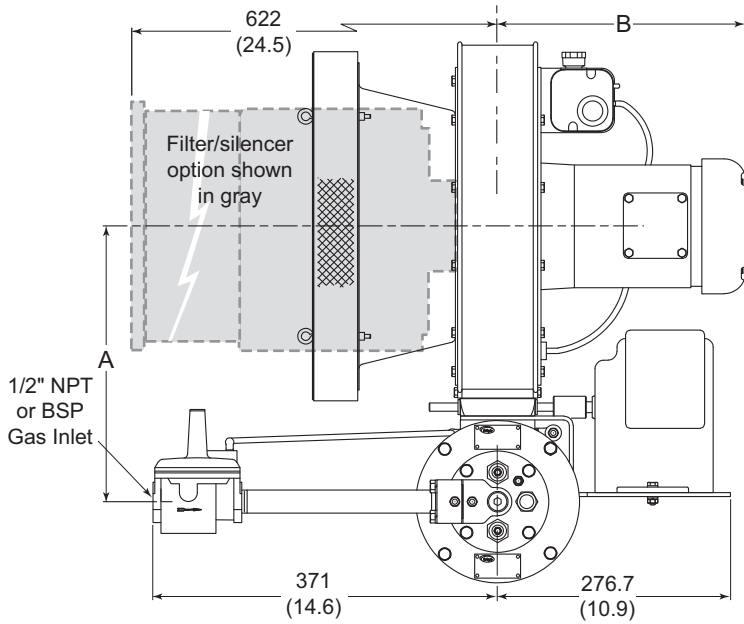


Air Orifice Δp vs. Input @ 3% O₂ Measured from Tap "A" to Tap "C"

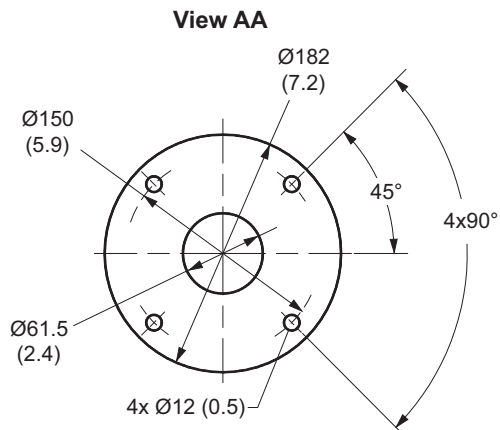
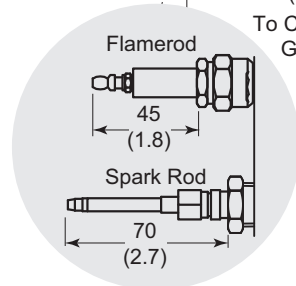


Dimensions & Specifications

Dimensions in mm (Inches)

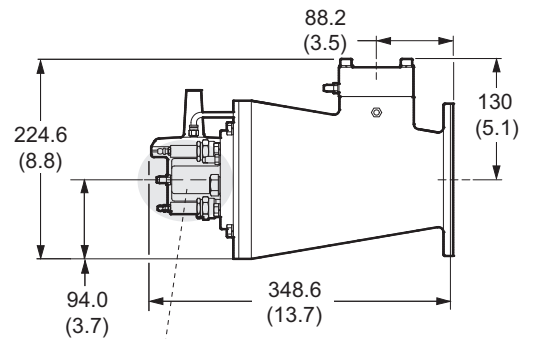
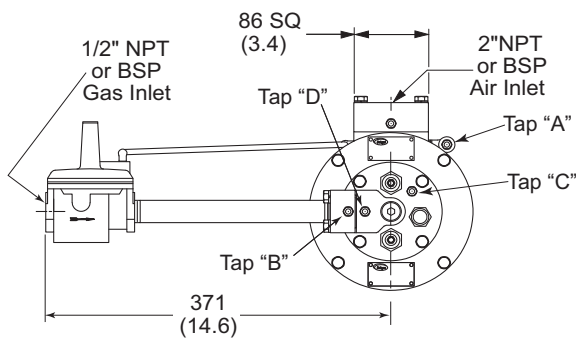


Note: See Remote Blower drawing below for Tap locations.



	A	B		C	D
		60Hz	50 Hz		
Low Pressure Blower	279 (11)	190 (7.5)	232 (9.1)	559 (22)	414 (16.2)
High Pressure Blower	319 (12.5)	287 (11.2)	232 (9.1)	629 (24.7)	473 (18.6)

Remote Blower



See above drawing for Spark and Flame Rod dimension details.

