


# ImmersoJet

## Burners

Model IJ-3

Version 2

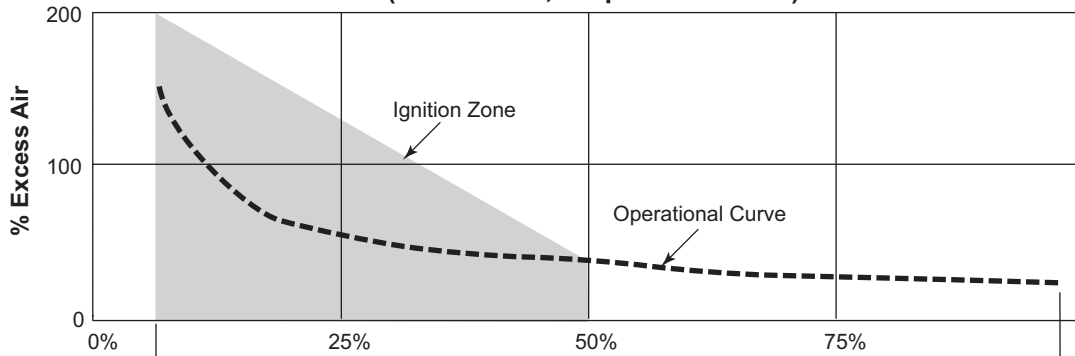
Parameter	Blower Size		
<b>Blower Type</b>	Low Pressure Packaged Blower (60 Hz)	High Pressure Packaged Blower (60 Hz)	Remote Blower
<b>Maximum Input BTU/hr (kW)</b>	440,000 (129)	550,000 (161)	850,000 (249)
<b>Minimum Input BTU/hr (kW)</b>	28,000 (8.2)	28,000 (8.2)	28,000 (8.2)
<b>Air Inlet Pressure "w.c. (mbar) @ Max Input</b> Air pressure at burner inlet (Tap "A")	7.7 (19.1)	11.5 (28.6)	26.0 (64.7)
<b>Blower Motor Hp (kW)</b>	0.33 (0.3)	0.5 (0.4)	As Specified
<b>Main Gas Pressure Supplied to Regulator</b> "w.c. (mbar)	14.0 - 27.7 (34.9 - 68.9)	14.0 - 27.7 (34.8 - 68.9)	27.0 - 27.7 (67.2 - 68.9)
<b>Backpressure "w.c. (mbar)</b>	1.6 (3.9)	2.6 (6.4)	6.1 (15.1)
<b>Weight lbs (kg)</b>	95 (43)	100 (45)	60 (27)
<b>CO Emissions (ppm)</b>	<100	<100	<100
<b>Piping</b>	NPT or BSP		
<b>Flame Detection</b>	Flamerod or UV Scanner		
<b>Fuel<sup>1</sup></b> <i>For any other mixed gas, contact Eclipse.</i>	Natural Gas, Propane, Butane		
<b>Approvals</b>			

<sup>1</sup> Different fuels require different nozzles and orifices.

- All information is based on laboratory testing with a tube effective length of 22 feet (6.7 m). Different tube sizes and conditions may affect the data.
- All information is based on standard tube design. Changes in the tube will alter performance and pressures.
- All inputs based upon gross calorific values (HHV).
- Eclipse reserves the right to change the construction and/or configuration of our products at any time without being obliged to adjust earlier supplies accordingly.
- Plumbing of air and gas will affect accuracy of orifice readings. All information is based on generally acceptable air and gas piping practices.
- Packaged blower performance data based on 60 Hz.

# Performance Graphs

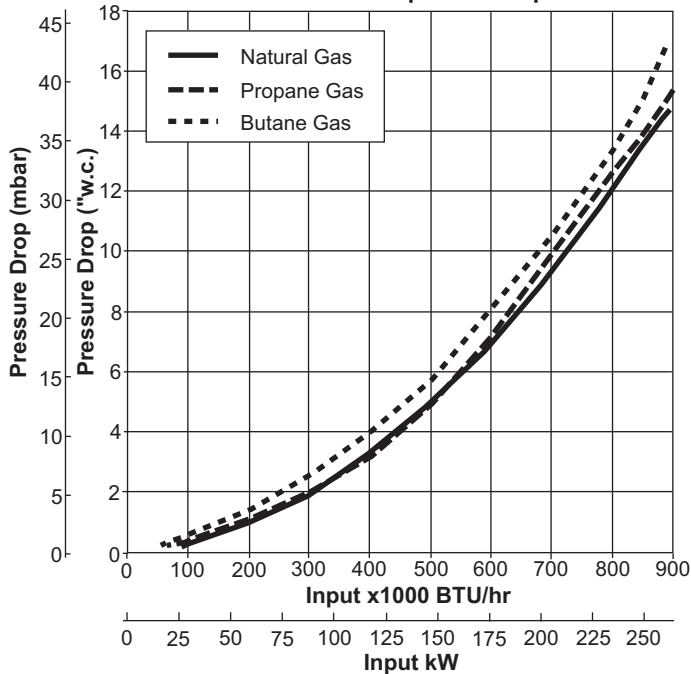
## Typical Operational Curve & Ignition Zone (Natural Gas, Propane & Butane)



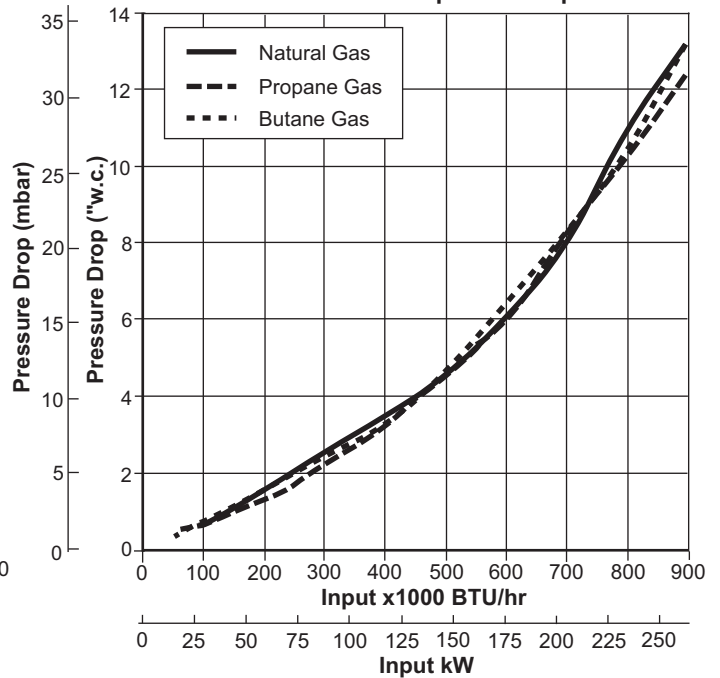
Low Fire:  
28,000 BTU/hr (8.2 kW)  
(Regardless of Blower)

High Fire:  
440,000 BTU/hr (128.9 kW) (6" w.c. Blower)  
550,000 BTU/hr (161.2 kW) (10" w.c. Blower)  
850,000 BTU/hr (249.1 kW) (Remote Blower)

### Gas Orifice $\Delta p$ vs. Input Measured from Tap "B" to Tap "D"

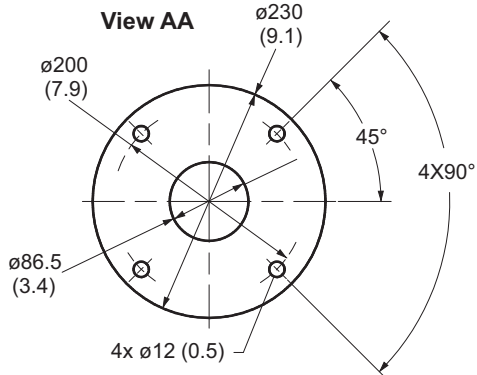
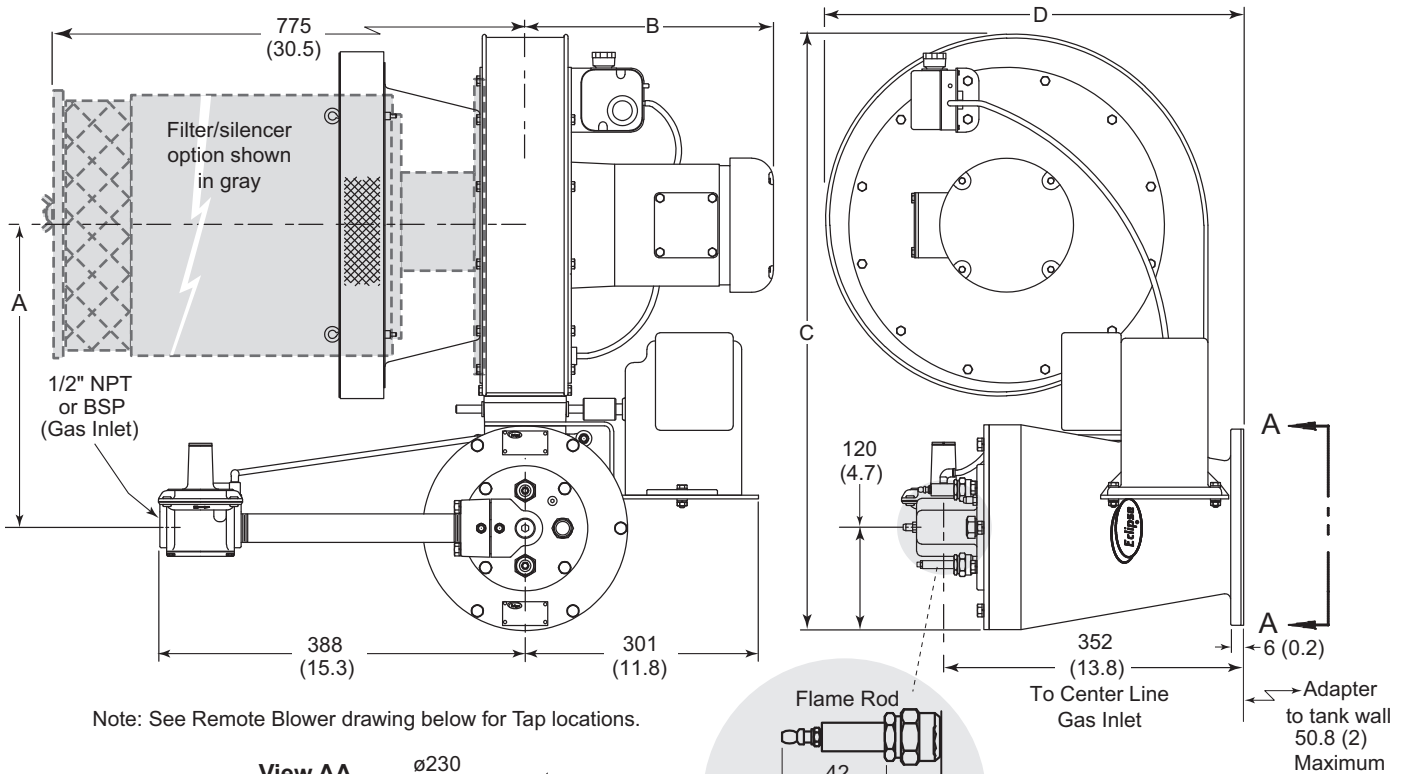


### Air Orifice $\Delta p$ vs. Input @ 3% O<sub>2</sub> Measured from Tap "A" to Tap "C"



## Dimensions & Specifications

Dimensions in mm (Inches)



	A	B		C	D
		60Hz	50 Hz		
Low Pressure Blower	324 (12.7)	291 (11.4)	234 (9.2)	638 (25.1)	430 (16.9)
High Pressure Blower	353 (13.9)	291 (11.4)	255 (10.0)	698 (27.5)	490 (19.3)

### Remote Blower

