


# ImmersoJet

## Burners

Model IJ-6

Version 2

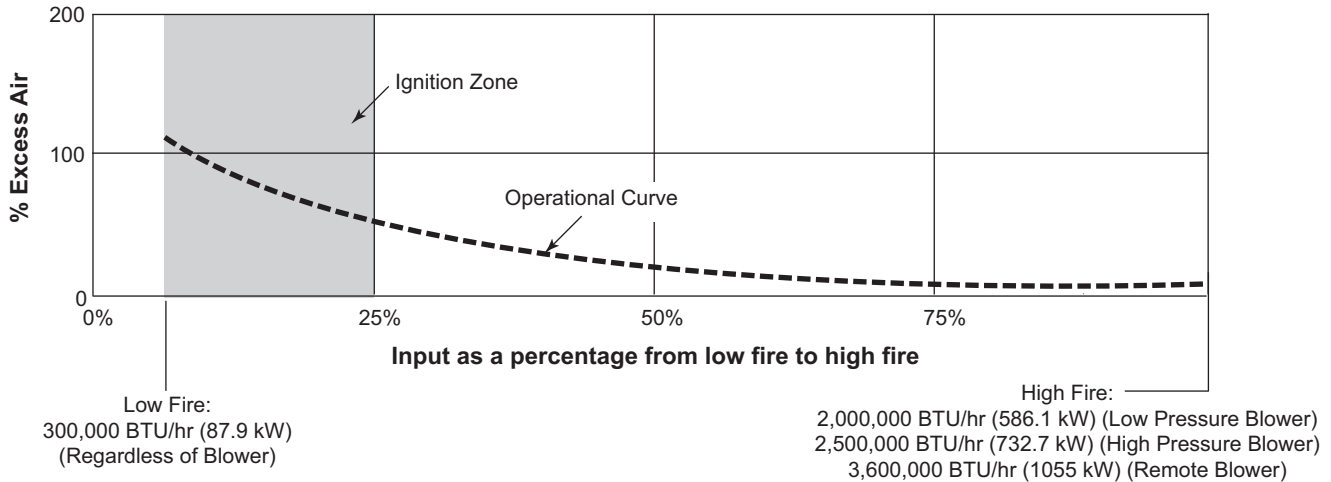
Parameter	Blower Size		
<b>Blower Type</b>	Low Pressure Packaged Blower (60 Hz)	High Pressure Packaged Blower (60 Hz)	Remote Blower
<b>Maximum Input BTU/hr (kW)</b>	2,000,000 (586.1)	2,500,000 (732.7)	3,600,000 (1055.1)
<b>Minimum Input BTU/hr (kW)</b>	300,000 (87.9)	300,000 (87.9)	300,000 (87.9)
<b>Air Inlet Pressure "w.c. (mbar) @ Max Input</b> Air pressure at burner inlet (Tap "A")	9.0 (22.4)	14.4 (35.8)	30.0 (74.7)
<b>Blower Motor Hp (kW)</b>	1.5 (1.1)	3.0 (2.2)	As Specified
<b>Main Gas Pressure Supplied to Regulator "w.c. (mbar)</b>	16 - 125 (39.9 - 311.4)	21 - 125 (52.3 - 311.4)	41 - 125 (102.1 - 311.4)
<b>Backpressure "w.c. (mbar)</b>	2.6 (6.5)	4.0 (9.9)	8.3 (20.6)
<b>Weight lbs (kg)</b>	275 (125)	290 (131)	185 (84)
<b>CO Emissions (ppm)</b>	<100	<100	<100
<b>Piping</b>	NPT or BSP		
<b>Flame Detection</b>	Flamerod or UV Scanner		
<b>Fuel<sup>1</sup></b> <i>For any other mixed gas, contact Eclipse.</i>	Natural Gas, Propane, Butane		
<b>Approvals</b>			

<sup>1</sup> Different fuels require different nozzles and orifices.

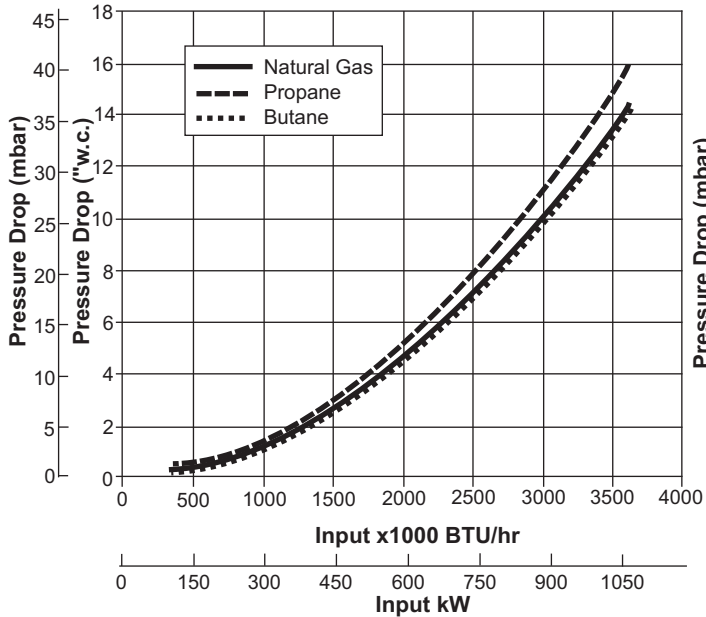
- All information is based on laboratory testing with a tube effective length of 50.4 feet (15.4 m). Different tube sizes and conditions may affect the data.
- All information is based on standard tube design. Changes in the tube will alter performance and pressures.
- All inputs based upon gross calorific values (HHV).
- Eclipse reserves the right to change the construction and/or configuration of our products at any time without being obliged to adjust earlier supplies accordingly.
- Plumbing of air and gas will affect accuracy of orifice readings. All information is based on generally acceptable air and gas piping practices.
- Packaged blower performance data based on 60 Hz.

## Performance Graphs

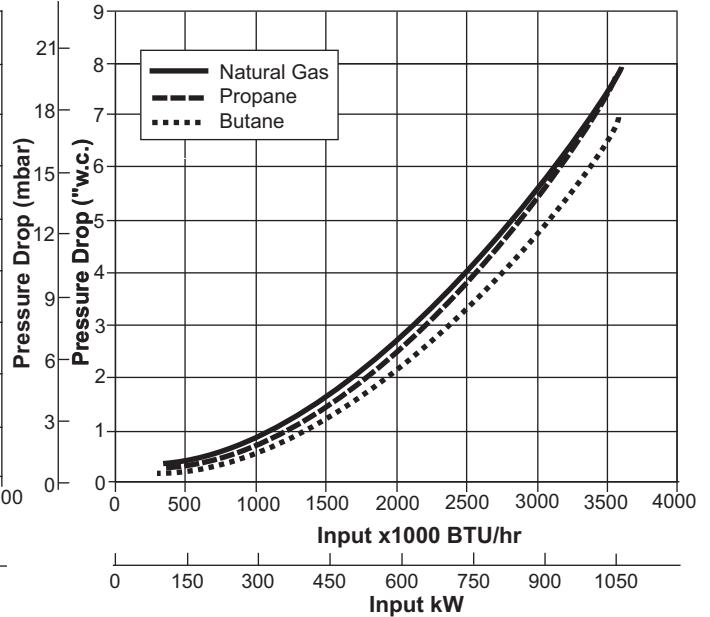
### Typical Operational Curve & Ignition Zone (Natural Gas, Propane, & Butane)



**Gas Orifice  $\Delta p$  vs. Input  
Measured from Tap "B" to Tap "D"**

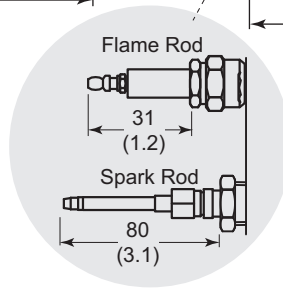
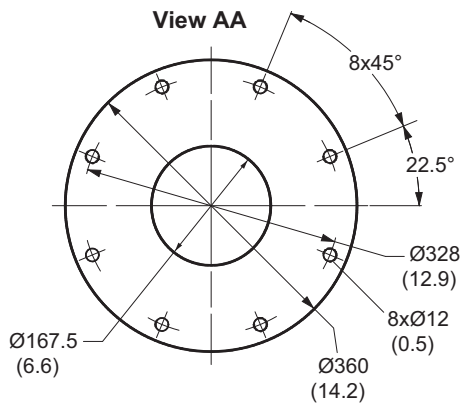
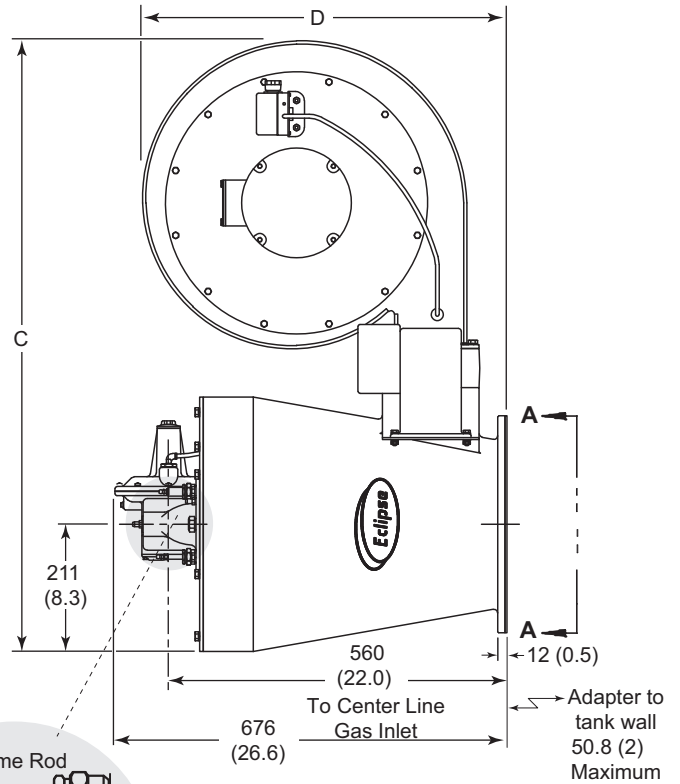
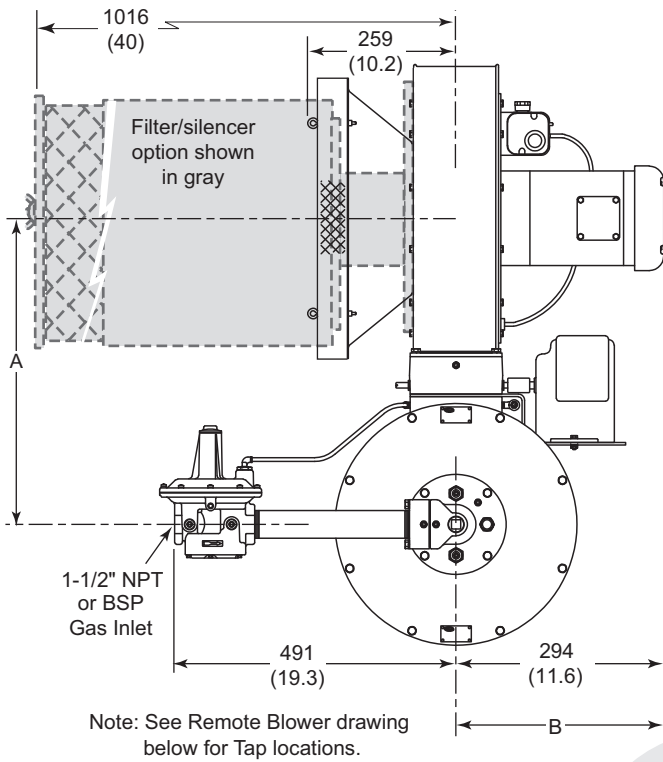


**Air Orifice  $\Delta p$  vs. Input @ 3%  $O_2$   
Measured from Tap "A" to Tap "C"**

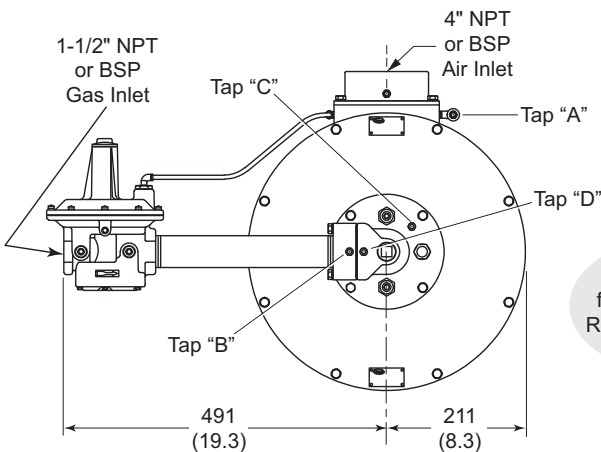


# Dimensions & Specifications

Dimensions in mm (Inches)



	A	B		C	D
		60 Hz	50 Hz		
Low Pressure Blower	508 (20.0)	330 (12.99)	306 (12.0)	958 (37.7)	545 (21.5)
High Pressure Blower	533 (20.98)	362 (14.3)	320 (12.6)	1013 (39.9)	604 (23.8)



## Remote Blower

See above drawing for Spark and Flame Rod dimension details.

