


# ImmersoJet

## Burners

Model IJ-8

Version 2

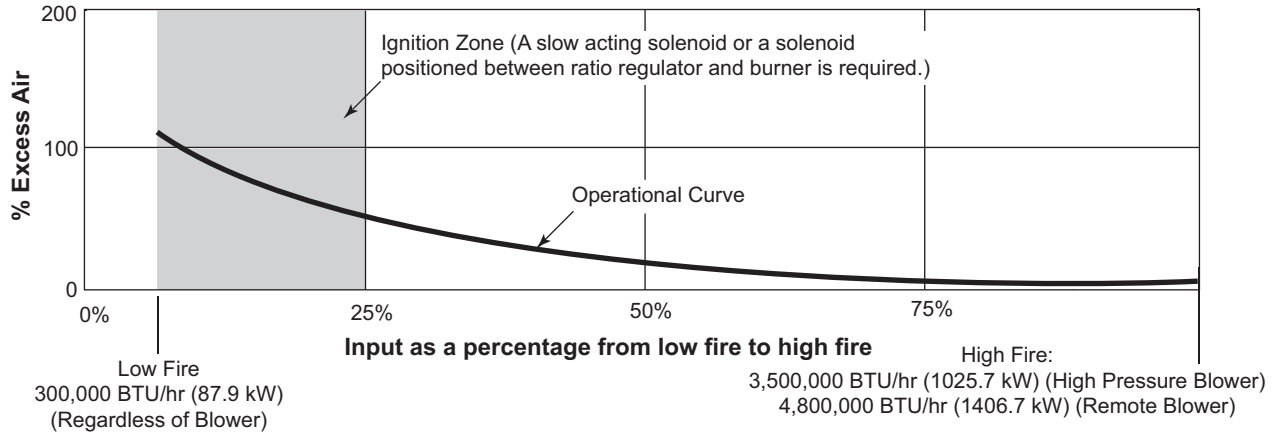
Parameter	Blower Size	
<b>Blower Type</b>	Packaged Blower (60 Hz)	Remote Blower
<b>Maximum Input BTU/hr (kW)</b>	3,500,000 (1024.8)	4,800,000 (1405.5)
<b>Minimum Input BTU/hr (kW)</b>	300,000 (87.9)	300,000 (87.9)
<b>Air Inlet Pressure "w.c. (mbar) @ Max Input</b> Air pressure at burner inlet (Tap "A")	16.5 (41.1)	19.5 (48.6)
<b>Blower Motor Hp (kW)</b>	3.0 (2.2)	As Specified
<b>Main Gas Pressure Supplied to Regulator</b> "w.c. (mbar)	21 - 125 (52.3 - 311.4)	28 - 128 (69.8 - 318.8)
<b>Backpressure "w.c. (mbar)</b>	2.0 (4.9)	3.8 (9.5)
<b>Weight lbs (kg)</b>	290 (131)	185 (84)
<b>CO Emissions (ppm)</b>	<100	<100
<b>Piping</b>	NPT or BSP	
<b>Flame Detection</b>	Flamerod or UV Scanner	
<b>Fuel<sup>1</sup></b> <i>For any other mixed gas, contact Eclipse.</i>	Natural Gas, Propane, Butane	
<b>Approvals</b>		

<sup>1</sup> Different fuels require different nozzles and orifices.

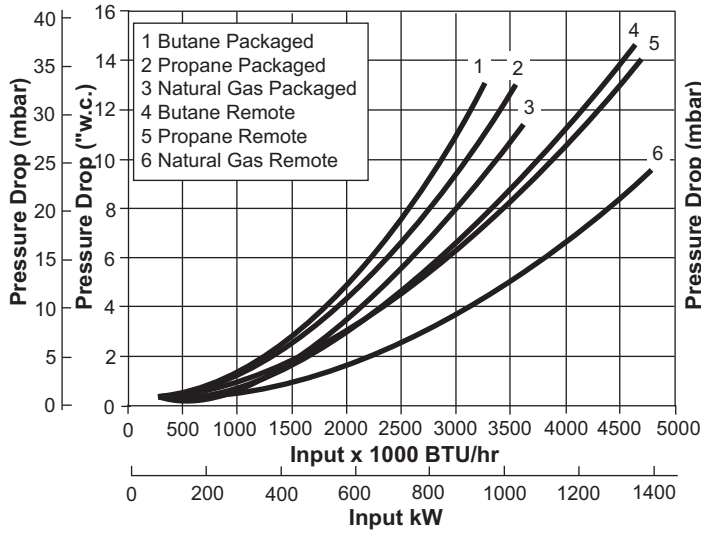
- All information is based on laboratory testing with a tube effective length of 51.7 feet (15.76 m). Different tube sizes and conditions may affect the data.
- All information is based on standard tube design. Changes in the tube will alter performance and pressures.
- All inputs based upon gross calorific values (HHV).
- Eclipse reserves the right to change the construction and/or configuration of our products at any time without being obliged to adjust earlier supplies accordingly.
- Plumbing of air and gas will affect accuracy of orifice readings. All information is based on generally acceptable air and gas piping practices.
- Packaged blower performance data based on 60 Hz.

# Performance Graphs

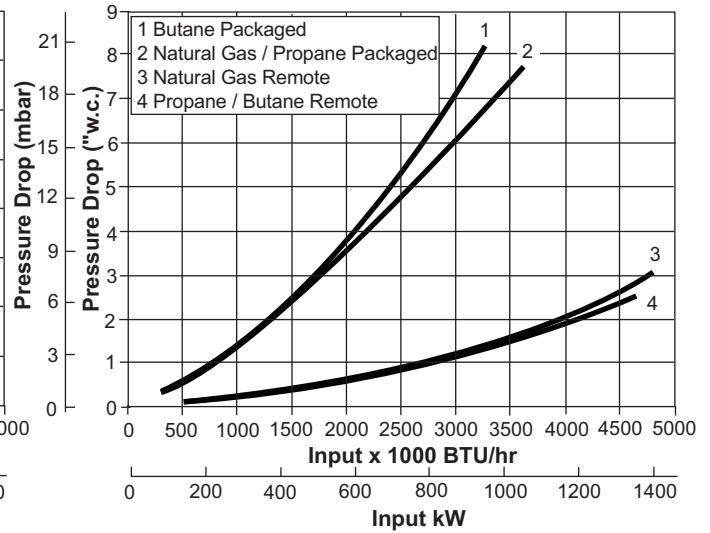
## Typical Operational Curve & Ignition Zone (Natural Gas, Propane & Butane)



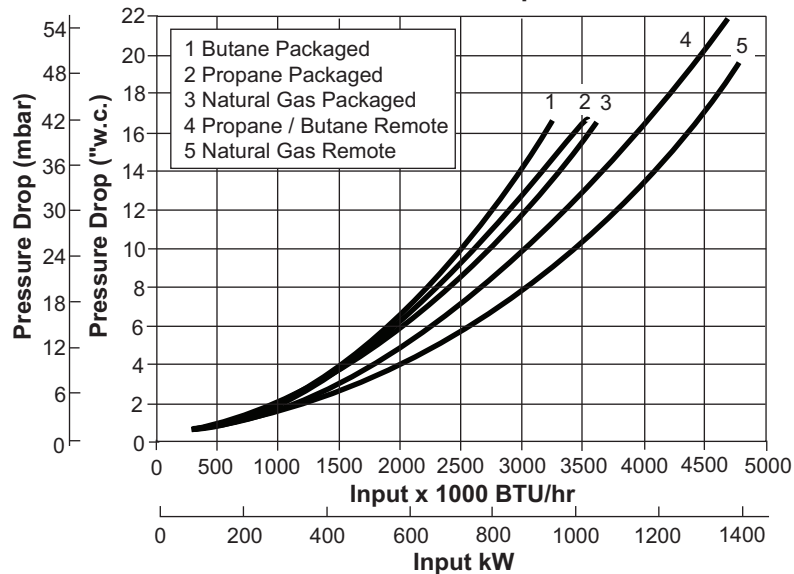
**Gas Orifice  $\Delta p$  vs. Input**  
Measured from Tap "B" to Tap "D"



**Air Orifice  $\Delta p$  vs. Input**  
Measured from Tap "A" to Tap "C"

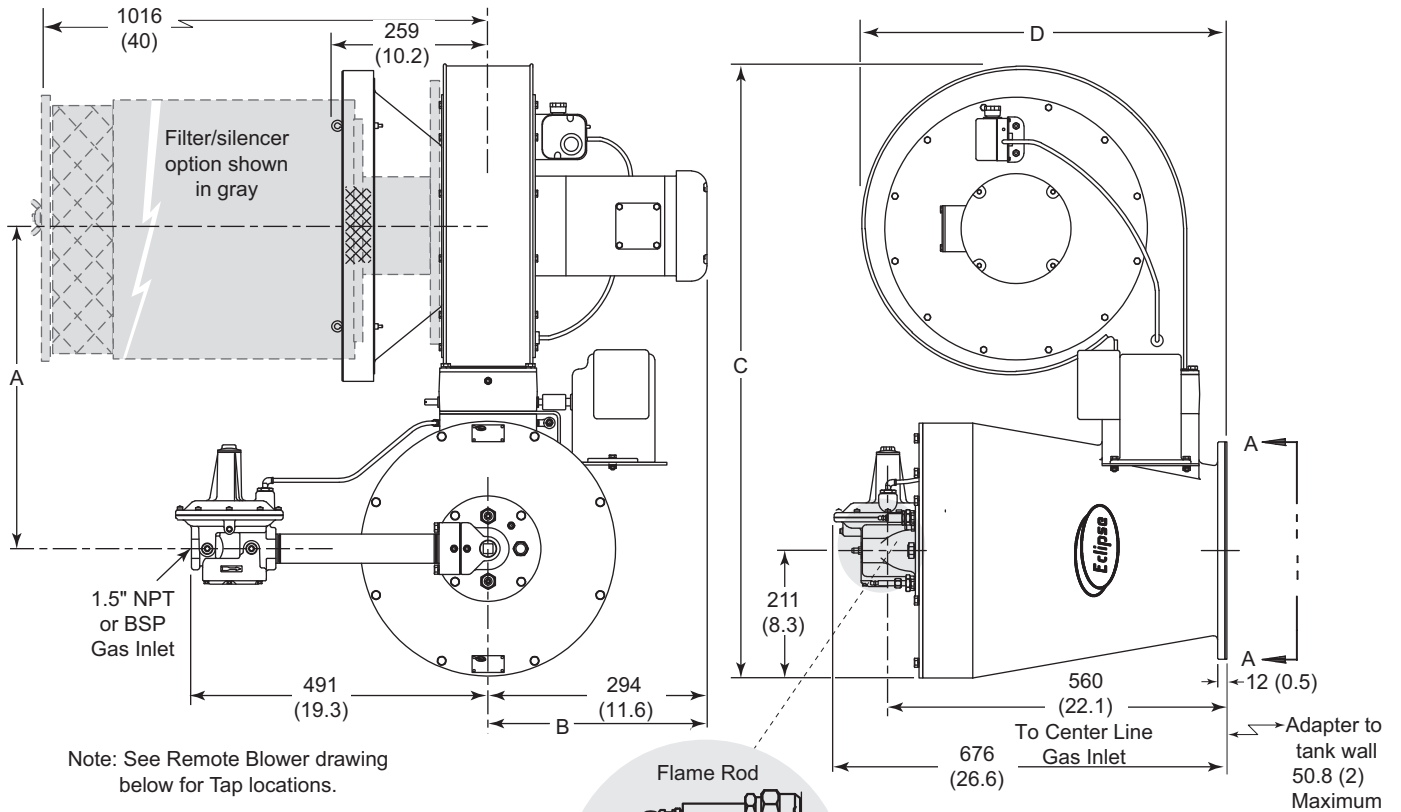


**Loading Line Pressure vs. Input**  
Measured at Tap "A"

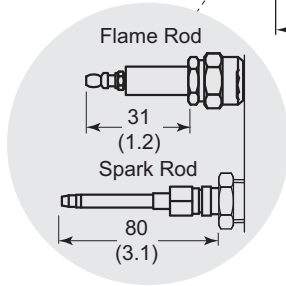
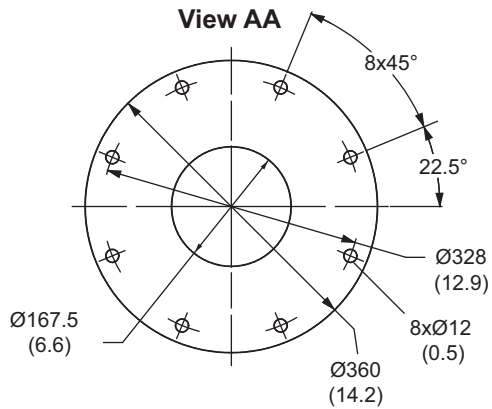


# Dimensions & Specifications

Dimensions in mm (Inches)

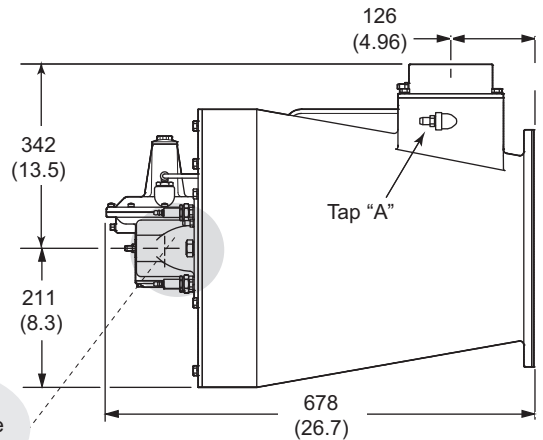
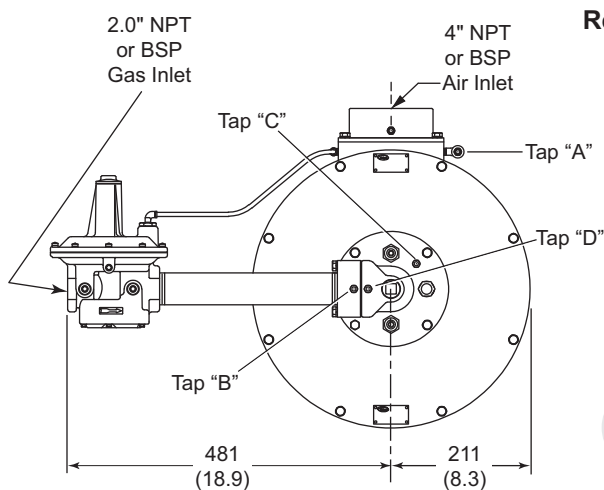


Note: See Remote Blower drawing below for Tap locations.



	A	B		C	D
		60 Hz	50 Hz		
High Pressure Blower	533 (20.98)	362 (14.3)	320 (12.6)	1013 (39.9)	604 (23.8)

## Remote Blower



See above drawing for Spark and Flame Rod dimension details

