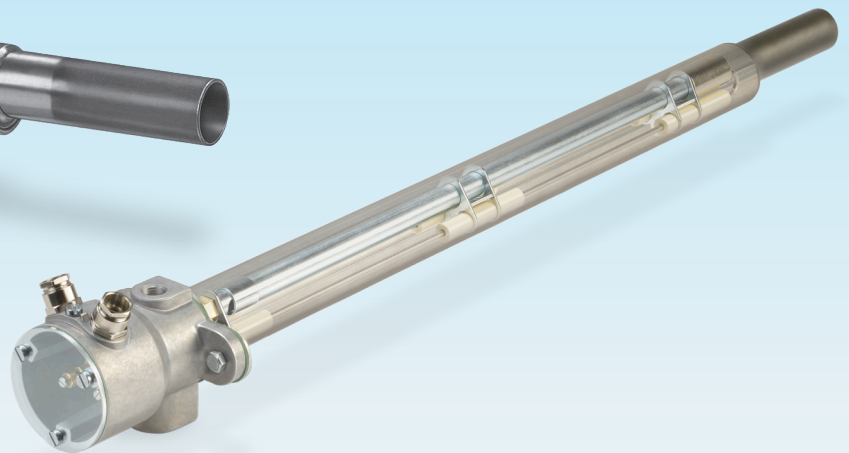
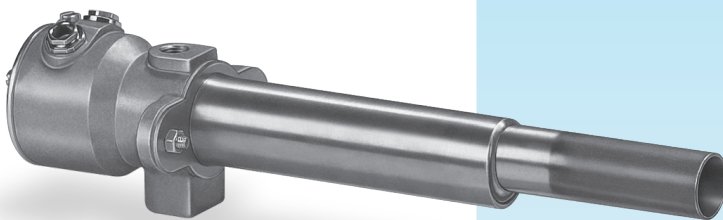


## Pilot burner ZKIH

Product brochure · GB  
9 Edition 03.16

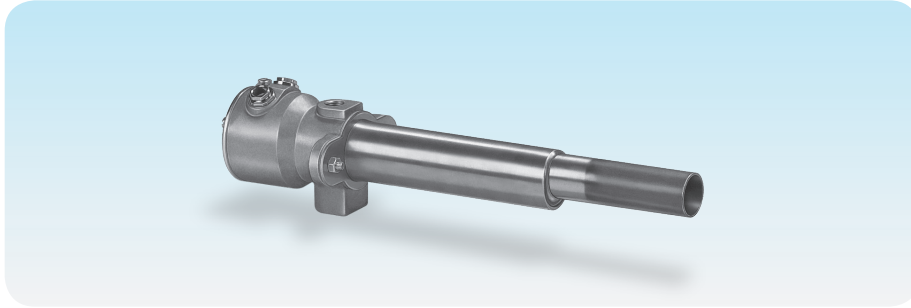
ERC



krom  
schroder

- Robust design for a long service life
- Diverse possible applications thanks to splash-proof connection housing
- Pilot burner with forced air supply
- Simple conversion of gas types from natural gas to LPG or town gas
- Reliable electrical ignition thanks to ignition electrode
- Safe flame control thanks to ionization electrode
- Saves space due to compact design
- Different lengths make it suitable for many installation situations

## Application



*Pilot burner ZKIH with splash-proof connection housing*

For use as a pilot burner for safe ignition of main burners in industrial furnaces and firing systems in the iron and steel industries in the precious, non-ferrous and light metal sector, as well as in the plastics, fibre and paper industries. Can also be used as an independently operated burner for applications requiring a burner capacity of 2 to 7 kW (for natural gas max. 5 kW).

The pilot burner is available in different lengths. It has a splash-proof housing. On delivery, the burner is equipped for operation with natural gas. It can easily be converted for operation with LPG or town gas.

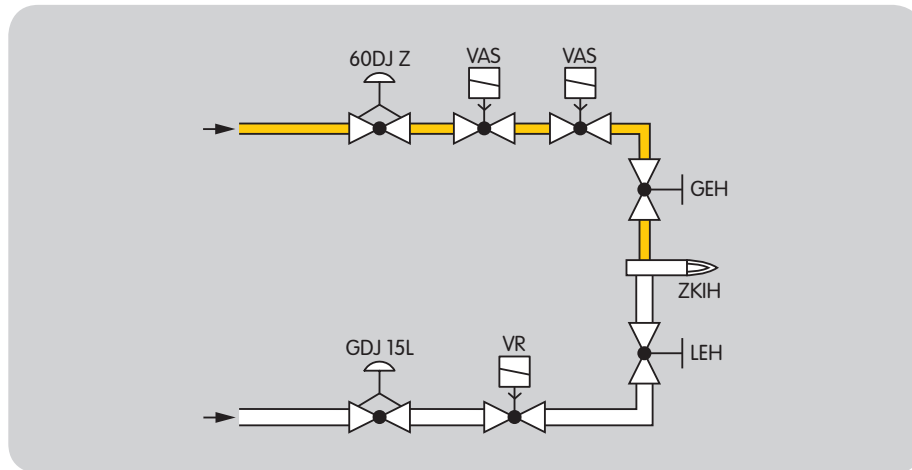
Burner ZKIHB is used for the ignition of high-speed burners.



*Flame of the ZKIH during natural gas operation in the open air*

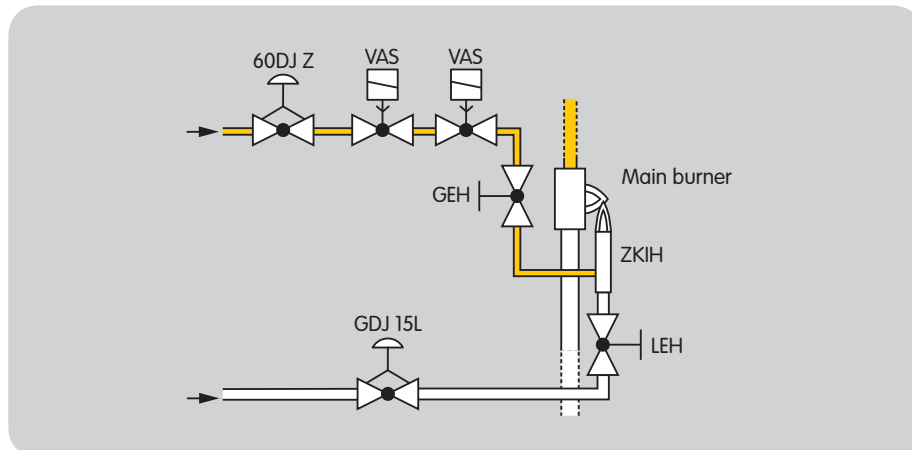
Examples of application

On/Off control



The gas/air mixture is set using the gas adjusting cock GEH and the air adjusting cock LEH. For a constant mixture of gas and air (lambda), one pressure regulator per burner is used in the gas and air circuits.

Igniting a main burner



Install the pilot burner so that reliable ignition of the main burner is guaranteed.

## Type code

Code	Description
ZKIH ZKIHB	Pilot burner with forced air supply For ignition of high-speed burners
150 – 930	Protective tube length <sup>1)</sup> [mm] 150 to 930
/100	Flame tube length [mm] 100
R	Rp internal thread

<sup>1)</sup> Longer lengths on request.

## Maintenance cycles

Twice per year, but if the media are highly contaminated, this interval should be reduced.

## Technical data

Burner	Capacity	
	kW	1000 BTU/h
ZKIH with natural gas	2–7 max. 5	7.6–26 max. 17

Gas types: natural gas, LPG (gaseous) and coke oven gas.

Gas inlet pressure: 5 to approx. 50 mbar  
(2 to approx. 20 "WC),  
air inlet pressure: 5 to approx. 40 mbar  
(2 to approx. 16 "WC),  
each depending on the gas type  
(burner pressures – see [www.docuthek.com](http://www.docuthek.com),  
Kind of document:

Operating characteristic diagram).

On delivery: natural gas setting (gas and  
air pressures: 15 mbar (6 "WC)).

For cold air only.

Flame control: with ionization electrode.

Ignition: direct spark ignition (5 kV ignition  
transformer).

Housing: aluminium.

Protective tube: stainless steel.

Flame tube: heat-resistant steel.

Max. temperature at the tip of the flame tube:  
< 1000°C (< 1832°F),  
< 900°C (< 1652°F) for  $\lambda < 1$ .

Max. temperature of the protective tube:  
500°C (932°F).

Gas and air pressures:  
see burner diagram at [www.docuthek.com](http://www.docuthek.com),  
Kind of document:

Operating characteristic diagram.

Flame length at rated capacity: approx.  
25 cm (9.8").

Control: On/Off.



elster  
Kromschroder

## Detailed information on this product



[http://docuthek.kromschroeder.com/doclib/main.php?language=1&folderid=207030&by\\_class=6](http://docuthek.kromschroeder.com/doclib/main.php?language=1&folderid=207030&by_class=6)

## Contact

[www.kromschroeder.com](http://www.kromschroeder.com) → Sales

Elster GmbH  
Postfach 2809 · 49018 Osnabrück  
Strothweg 1 · 49504 Lotte (Büren)  
Germany  
T +49 541 1214-0  
F +49 541 1214-370  
info@kromschroeder.com  
[www.kromschroeder.com](http://www.kromschroeder.com)

We reserve the right to make technical modifications  
in the interests of progress.  
Copyright © 2016 Elster GmbH  
All rights reserved.