

Innovative Combustion Solutions Worldwide

GENERAL PURPOSE GAS SHUT-OFF VALVES

MODEL 8214

*Two Way Normally Closed,
Internal Pilot Operated Aluminum Bodies
1/2" to 3" N.P.T.*

Version 1.0

Eclipse Model 8214 gas shut-off valves are zero-differential, internal pilot operated diaphragm valves. They are typically used as the main gas shut-off valves in commercial or industrial burner applications.

These normally closed valves have aluminum bodies which must be vertical and upright when mounted, except for Model JB821435, which is mountable in any position. 1/8" N.P.T. upstream and downstream pipe taps with plugs provide easy access for routine testing.

These valves are available in two models: L and JB. L models have molded epoxy Types 1, 2, 3S and 4X combination general purpose and watertight solenoid enclosures with 72" leads and 1/2" conduit hub as standard. JB models have metal Type 1 general purpose junction box enclosures with 18" leads.

- For use with fuel gas.
- Continuous duty Class F insulation coils are available in volts AC/Hz for:
 - ~ 24/60
 - ~ 120/60, 110/50
 - ~ 240/60, 220/50
 - ~ 480/60
- UL listed; FM approved*; AGA, CGA and CSA certified.
- Valve components in contact with fluids:
 - ~ Body: Die-cast aluminum
 - ~ Seals and disc: Buna "N"
 - ~ Core and plugnut: 430F s.s.
 - ~ Core tube: 305 s.s.
 - ~ Springs: 302 s.s.
 - ~ Shading coil: Copper
 - ~ Plug: Zinc-plated steel
 - ~ Core guide: Acetal (17.1 & 20 watt-rated models only)
 - ~ Rider ring: Filled Teflon™ (17.1 & 20 watt-rated models only)



Eclipse Combustion



* FM approved for process control.

Specifications

Size, "N.P.T.	Eclipse Model No.❶	Eclipse Part No.	Cv	Gas Capacity (Btu/hr.)❷	Operating Pressure Diff. (psi)		Fluid & Ambient Temp. (°F)		Watt Rating	Power Consumption	
					Min.	Max.	Min.	Max.		VA Holding	VA Inrush
1/2	ECI-L8214G20	20171	4.4	238,500	0	5	-40	125	17.1	40	93
3/4	ECI-JB821435	20173	11.0	580,000	0	5	-40	125	20.0	43	240
1	ECI-JB821450	20174	21.0	1,119,000	0	5	-40	125	20.0	43	240
1-1/4	ECI-JB821460	20175	32.0	1,730,000	0	5	-40	125	20.0	43	240
1-1/2	ECI-JB821470	20176	35.0	1,900,000	0	5	-40	125	20.0	43	240
2	ECI-JB821480	20177	60.0	2,800,000	0	5	-40	125	20.0	43	240
2-1/2	ECI-JB821490	20178	104.0	5,765,500	0	5	-40	125	28.2	50	385
3	ECI-JB821440	20179	105.0	5,796,000	0	5	-40	125	28.2	50	385

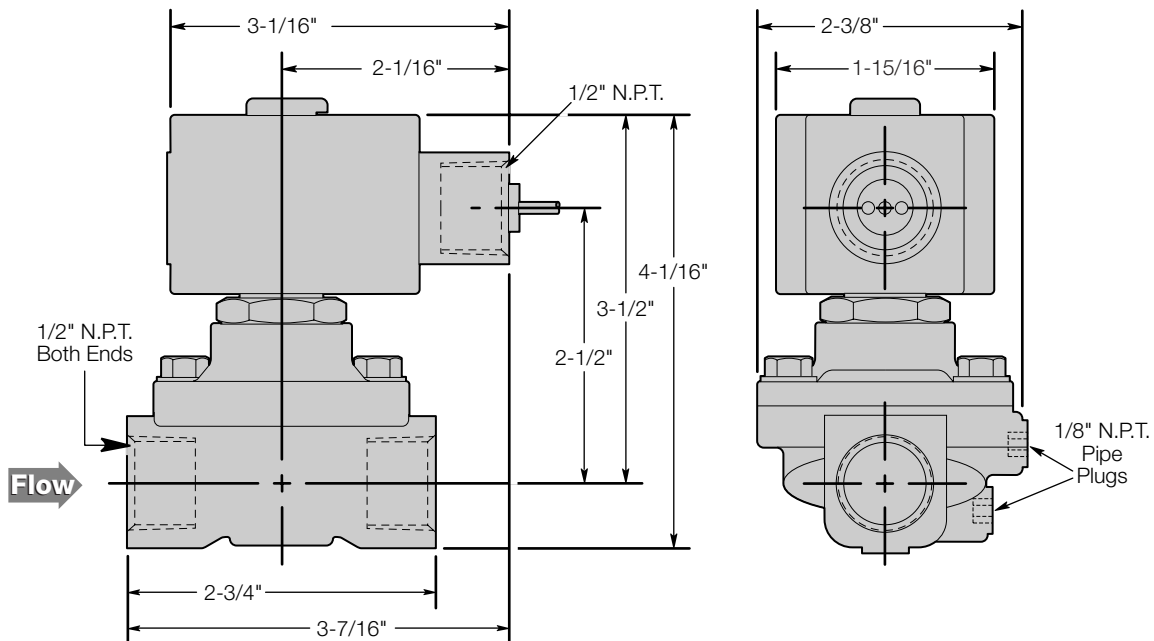
❶ Model ECI-JB821435 can be mounted in any position; all other valve models must be mounted with the solenoid vertical and upright.

❷ For 1" w.c. pressure drop at 2" w.c. inlet pressure, 1,000 Btu/cu. ft. or more, for gas @ 0.64 specific gravity.

Dimensions

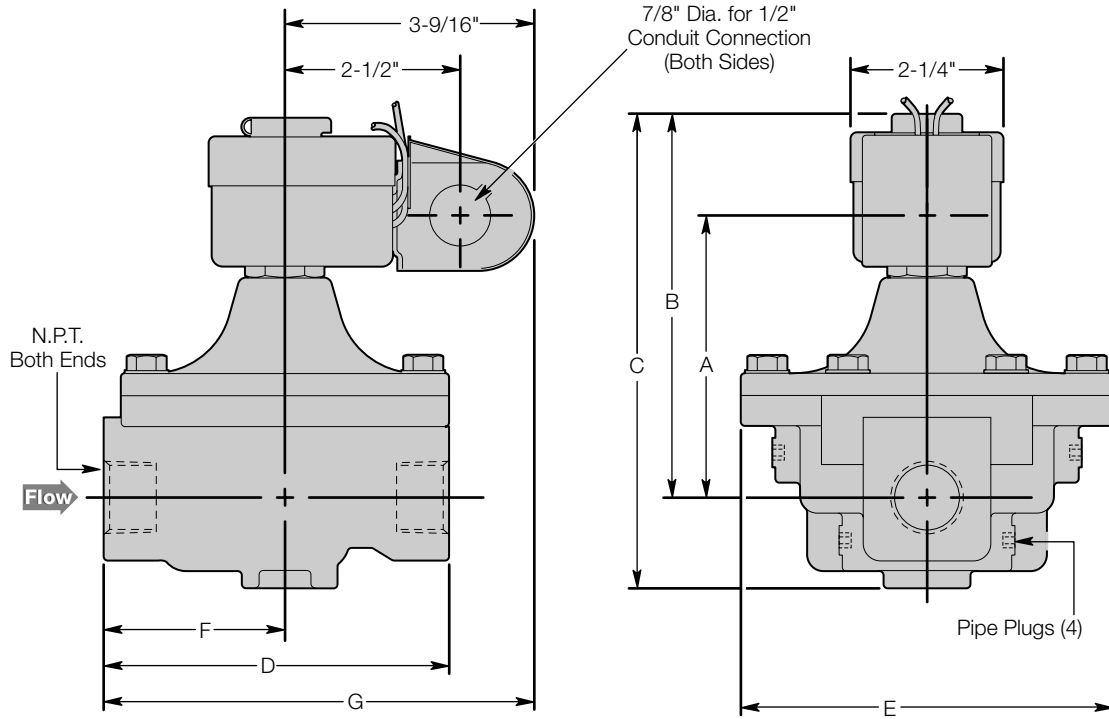
Model Number	Pipe Size, "N.P.T.	Valve Style	Dimensions, In Inches						
			A	B	C	D	E	F	G
ECI-JB821435	3/4	1	4-3/16	5-1/2	6-13/16	5	5-3/8	2-5/8	6-3/16
ECI-JB821450	1	1	4-3/16	5-1/2	6-13/16	5	5-3/8	2-5/8	6-3/16
ECI-JB821460	1-1/4	1	4-3/16	5-9/16	6-13/16	5	5-3/8	2-5/8	6-3/16
ECI-JB821470	1-1/2	1	4-3/16	5-9/16	6-13/16	5	5-3/8	2-5/8	6-3/16
ECI-JB821480	2	1	4-1/2	5-15/16	7-7/16	6-1/8	6-5/16	3-5/16	6-13/16
ECI-JB821470	2-1/2	2	5-3/4	7-7/8	10-3/16	7-13/16	7-15/16	3-7/8	8
ECI-JB821480	3	2	5-3/4	7-7/8	10-3/16	7-13/16	7-15/16	3-7/8	8

Model #ECI-L8214G20 Valve



Dimensions (continued)

Valve Style 1



Valve Style 2

