

Honeywell Universal Gas Valves

EXPERTS IN BURNER & BOILER CONTROLS

Welcome to the new Honeywell Universal Gas Valves catalogue. It's your entry point to an entire programme of solenoid valves, gas pressure regulators, servo motors, butterfly valves, valve proving systems, combination valves as well a wide range of gas filters. This gives you a wide choice of specifications and options to match your requirements exactly.

Making business as simple as possible

The catalogue is just part of our special kind of supplier-specifier relationship. In short, we want to make doing business as simple as possible. It begins by organizing products by applications for the quickest selection of a product for a specified application. It extends to ease of ordering, fast delivery and additional customer services. All backed by highly qualified support engineers willing and able to discuss your needs and suggest solutions.

Availability

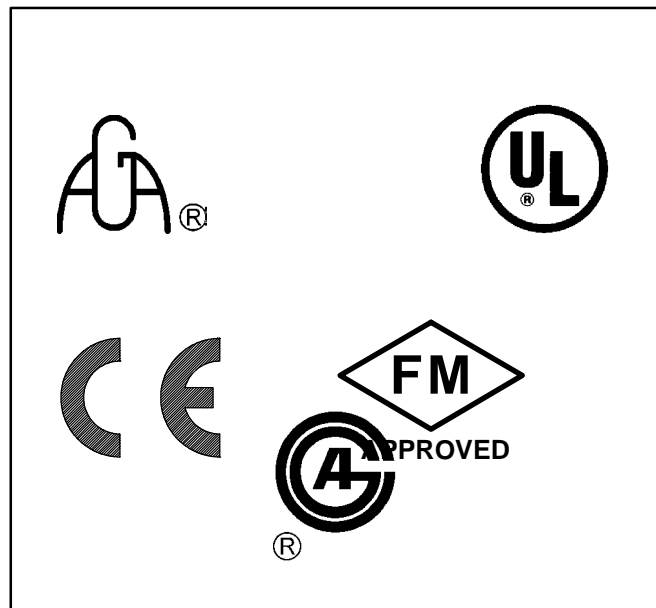
With over 600 product listed, the valve, pressure regulator, servo motor or valve proving system you need is probably available from our standard range. What's more, the same valves are available from our distributors anywhere in the world. So wherever you are you can order with complete confidence.

Quality assured

Certification by ISO 9002, is formal recognition of Honeywell Universal Gas Valves commitment to total quality. It is the outward sign of a company dedicated to customer satisfaction and is part of the Honeywell commitment to deliver reliable and safe products.

All the approval you need

All the listed product have the appropriate North American or European approvals. Details can be found for every type under the heading Standards and Approvals.



Illustrations and product descriptions published in this catalogue are not binding in detail. To determine the suitability of a product for a specific application, the customer should consult the product specification sheet provided with the product, or contact Honeywell directly. In keeping with its policy of continued improvement, Honeywell reserves the right to change or modify design or specifications of product without notice or obligation.

VE4000 Series

CLASS "A" SOLENOID VALVE VE4000A1



FEATURES

- **Normally Closed valve.**
(spring loaded valve disc, closed when de-energized).
- **Non regulated ON/OFF.**
- **Opening/closing time: <1 sec.**
- **Maximum working frequency: 20 cycles/min.**
- **Wrench boss as well on inlet side as on outlet side for pipe fitting incorporated in the valve housing.**
- **2 auxiliary pressure taps with Rp 1/4" threaded connections, both on the inlet pressure side.**
- **Coil field replaceable.**
- **Coil suitable for permanent energization.**
- **Coil turnable over 360°.**
- **Internal fine mesh screen.**

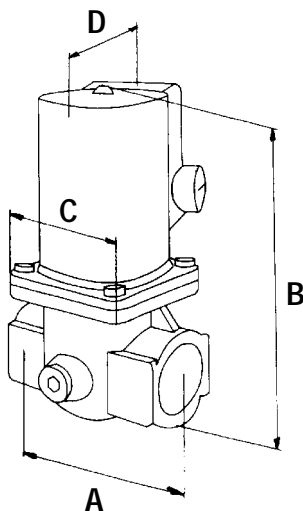


Fig. 1. Dimensional drawing VE4000A1 Series

APPLICATION

These series class "A" gas valves are used for control and regulation of gaseous fluids in gas power burners, atmospheric gas boilers, melting furnaces, incinerators and other gas consuming appliances.

SPECIFICATION

Model

VE4000A1

Dimensions

See figure and table below.

Pipe sizes

Inlet and outlet 3/8" up to 3" internal parallel pipe thread according to ISO 7-1.

Mounting and orientation

The valve may be assembled on the pipeline within plus or minus 90 degrees of the vertical axis and 30 cm. air space around the coil assy.

Capacity

See capacity curves VE4000 Series on page 66 and 67.

Maximum operating pressure

Rp 3/8" to Rp 1/2" types up to 360 mbar

Rp 3/4" to Rp 2. 1/2" types; 200 or 360 mbar

Torsion and bending stress

Pipe connections meet group 2, according to EN161 requirements.

Supply voltage

Line voltage: 220 ... 240 Vac, 50/60 Hz

110 Vac, 50/60 Hz

24 Vac, 50/60 Hz

24 ... 28 Vdc

Ambient temperature range

-15 ... 60 °C

Electrical connection

Plug connection according to PG11

Optional : Male DIN plug connector according to ISO4400

Coil insulation solenoid valves

Insulation material according to class F.

Electrical protection

IP54

IP65 on request.

Valve body

Aluminium alloy die-cast

Bottom plug

Rp 1/4" for Closed Position Indication (CPI) switch.

Strainer

AISI 303 steel

Closing spring

AISI 302 steel

Valve plunger

Chrome plated Fe 360B steel sliding on anti-friction bearing.

Seals and gaskets

Hydrocarbon resistant NBR rubber type

Optional : Viton rubber type

Standards and Approvals

Class "A" valve in accordance with EN161 standards.

The VE4000 Series gas valves conform with the following EC directives:

- Gas Appliance Directive (90/396/EEC)
PIN: CE-0063AP3075/1
- Low Voltage Directive (73/23/EEC)
- Electro Magnetic Compatibility Directive (89/336/EEC)

Table 1. VE4000A1 Series, Class "A" Normally Closed solenoid valve, ON/OFF.

O.S. Number	Rated Voltage (Vac)	Connect (inch)	DN	Maximum Operating Pressure (mbar)	Overall Dimensions (mm)				Power Cons. (W)	Enclosure	Weight (kg)	Bottom Plug	DIN Plug	Viton
					A	B	C	D						
VE4010A1006	220 ... 240	3/8	10	360	72	112	52	85	14	IP54	1.1	-	-	-
VE4010A1030	220 ... 240	3/8	10	360	72	112	52	85	14	IP54	1.1	-	-	-
VE4010A1048	220 ... 240	3/8	10	360	72	112	52	85	14	IP54	1.1	-	✓	✓
VE4010A1014	110	3/8	10	360	72	112	52	85	14	IP54	1.1	-	-	-
VE8010A1010	24 ... 28Vdc	3/8	10	360	72	112	52	85	14	IP54	1.1	-	-	-
VE8010A1028	24 ... 28Vdc	3/8	10	360	72	112	52	85	14	IP54	1.1	-	-	-
VE8010A1002	24	3/8	10	360	72	112	52	85	14	IP54	1.1	-	-	-
VE4015A1005	220 ... 240	1/2	15	360	72	112	52	85	14	IP54	1.1	-	-	-
VE4015A1039	220 ... 240	1/2	15	360	72	112	52	85	14	IP65	1.1	-	-	-
VE4015A1070	220 ... 240	1/2	15	360	72	112	52	85	14	IP65	1.1	-	-	-
VE4015A1013	110	1/2	15	360	72	112	52	85	14	IP54	1.1	-	-	-
VE4015A1054	110	1/2	15	360	72	112	52	85	14	IP65	1.1	-	-	-
VE8015A1001	24	1/2	15	360	72	112	52	85	14	IP54	1.1	-	-	-
VE8015A1019	24 ... 28Vdc	1/2	15	360	72	112	52	85	14	IP54	1.1	-	-	-
VE8015A1027	12Vdc	1/2	15	360	72	112	52	85	14	IP54	1.1	-	-	-
VE4020A1005	220 ... 240	3/4	20	200	86	156	70	96	20	IP54	1.9	✓	-	-
VE4020A1062	220 ... 240	3/4	20	360	86	156	70	96	20	IP54	1.9	✓	-	-
VE4020A1104	220 ... 240	3/4	20	200	86	156	70	96	20	IP54	1.9	✓	✓	-
VE4020A1054	110	3/4	20	200	86	156	70	96	18	IP54	1.9	✓	-	-
VE4020A1088	110	3/4	20	360	86	156	70	96	21	IP54	1.9	✓	-	-
VE4020A1096	110	3/4	20	360	86	156	70	96	21	IP54	1.9	✓	-	✓
VE8020A1019	24 ... Vdc	3/4	20	200	86	156	70	96	21	IP54	1.9	✓	-	-
VE8020A1001	24	3/4	20	200	86	156	70	96	21	IP54	1.9	✓	-	-
VE8020A1027	12Vdc	3/4	20	200	86	156	70	96	21	IP54	1.9	✓	-	-
VE4025A1004	220 ... 240	1	25	200	100	156	75	96	20	IP54	2.0	✓	-	-
VE4025A1061	220 ... 240	1	25	360	100	156	75	96	20	IP54	2.0	✓	-	-
VE4025A1095	220 ... 240	1	25	200	100	156	75	96	20	IP54	2.0	✓	-	-
VE4025A1053	110	1	25	200	100	156	75	96	18	IP54	2.0	✓	✓	-
VE4025A1103	110	1	25	360	100	156	75	96	21	IP54	2.0	✓	-	-
VE4025A1187	110	1	25	360	100	156	75	96	21	IP65	2.0	✓	-	-
VE4025A1111	110	1	25	200	100	156	75	96	21	IP65	2.0	✓	-	-
VE4025A1129	110	1	25	200	100	156	75	96	21	IP65	2.0	✓	✓	✓
VE8025A1018	24 ... 28Vdc	1	25	200	100	156	75	96	21	IP54	2.0	✓	-	-
VE8025A1034	24 ... 28Vdc	1	25	360	100	156	75	96	21	IP54	2.0	✓	✓	-
VE8025A1000	24	1	25	200	100	156	75	96	21	IP54	2.0	✓	-	-
VE8025A1026	12Vdc	1	25	200	100	156	75	96	21	IP54	2.0	✓	-	-
VE4032A1000	220 ... 240	1 1/4	32	200	150	214	110	118	40	IP54	5.8	✓	-	-
VE4032A1018	110	1 1/4	32	200	150	214	110	118	47	IP54	5.8	✓	-	-
VE4032A1067	110	1 1/4	32	200	150	214	110	118	47	IP65	5.8	✓	-	-
VE8032A1014	24 ... 28Vdc	1 1/4	32	200	150	214	110	118	53	IP54	5.8	✓	-	-
VE8032A1022	24 ... 28Vdc	1 1/4	32	200	150	214	110	118	53	IP54	5.8	✓	✓	-
VE8032A1006	24	1 1/4	32	200	150	214	110	118	53	IP54	5.8	✓	-	-
VE4040A1003	220 ... 240	1 1/2	40	200	150	214	110	118	40	IP54	5.8	✓	-	-
VE4040A1094	220 ... 240	1 1/2	40	200	150	214	110	118	40	IP65	5.8	✓	-	-
VE4040A1102	220 ... 240	1 1/2	40	200	150	214	110	118	40	IP65	5.8	✓	✓	-
VE4040A1052	110	1 1/2	40	200	150	214	110	118	47	IP54	5.8	✓	-	-
VE4040A1086	110	1 1/2	40	200	150	214	110	118	47	IP65	5.8	✓	-	-
VE8040A1017	24 ... 28Vdc	1 1/2	40	200	150	214	110	118	53	IP54	5.8	✓	-	-
VE8040A1009	24	1 1/2	40	200	150	214	110	118	53	IP54	5.8	✓	-	-
VE4050A1002	220 ... 240	2	50	200	170	220	135	123	41	IP54	6.4	✓	-	-
VE4050A1077	220 ... 240	2	50	200	170	220	135	123	41	IP65	6.4	✓	-	-
VE4050A1051	110	2	50	200	170	220	135	123	48	IP54	6.4	✓	-	-
VE4050A1085	110	2	50	200	170	220	135	123	48	IP65	6.4	✓	-	-
VE8050A1016	24 ... 28Vdc	2	50	200	170	220	135	123	50	IP54	6.4	✓	-	-
VE8050A1008	24	2	50	200	170	220	135	123	50	IP54	6.4	✓	-	-
VE4065A1000	220 ... 240	2 1/2	65	200	225	290	170	145	73	IP54	12.2	✓	-	-

VE4000 Series

CLASS "A" SOLENOID VALVE VE4000B1



FEATURES

- **Normally Closed valve.**
(spring loaded valve disc, closed when de-energized).
- **Adjustable flow rate regulator on top of the coil.**
- **Opening/closing time: <1 sec.**
- **Maximum working frequency: 20 cycles/min.**
- **Wrench boss as well on inlet side as on outlet side for pipe fitting incorporated in the valve housing.**
- **2 auxiliary pressure taps with Rp 1/4" threaded connections, both on the inlet pressure side.**
- **Coil field replaceable.**
- **Coil suitable for permanent energization.**
- **Coil turnable over 360°.**
- **Internal fine mesh screen.**

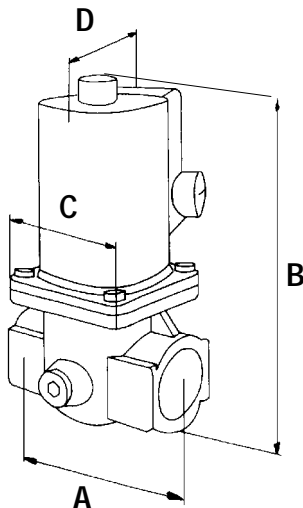


Fig. 2. Dimensional drawing VE4000B1 Series

APPLICATION

These series class "A" gas valves are used for control and regulation of gaseous fluids in gas power burners, atmospheric gas boilers, melting furnaces, incinerators and other gas consuming appliances.

SPECIFICATION

Model

VE4000B1

Dimensions

See figure and table below.

Pipe sizes

Inlet and outlet 3/8" up to 2" internal parallel pipe thread according to ISO 7-1.

Mounting and orientation

The valve may be assembled on the pipeline within plus or minus 90 degrees of the vertical axis and 30 cm. air space around the coil assy.

Capacity

See capacity curves VE4000 Series on page 66 and 67.

Maximum operating pressure:

Rp 3/8" to Rp 1/2" types up to 360 mbar

Rp 3/4" to Rp 3" types, 200 or 360 mbar

Torsion and bending stress

Pipe connections meet group 2, according to EN161 requirements.

Supply voltage

Line voltage: 220 ... 240 Vac, 50/60 Hz

110 Vac, 50/60 Hz

24 Vac, 50/60 Hz

24 ... 28 Vdc

Ambient temperature range

-15 ... 60 °C

Electrical connection

Plug connection according to PG11.

Optional : Male DIN plug connector according to ISO4400

Coil insulation solenoid valves

Insulation material according to class F.

Enclosure

IP54

IP65 on request

Valve body

Aluminium alloy die-cast

Bottom plug

Rp 1/4" for Closed Position Indication (CPI) switch.

Strainer

AISI 303 steel

Closing spring

AISI 302 steel

Valve plunger

Chrome plated Fe 360B steel sliding on anti-friction bearing.

Seals and gaskets

Hydrocarbon resistant NBR rubber type.

Optional : Viton rubber type

Standards and Approvals

Class "A" valve in accordance with EN161 standards.

The VE4000 Series gas valves conform with the following EC directives:

- Gas Appliance Directive (90/396/EEC)
PIN: CE-0063AP3075/1
- Low Voltage Directive (73/23/EEC)
- Electro Magnetic Compatibility Directive (89/336/EEC)

Table 2. VE4000B1 Series, Class “A” Normally Closed solenoid valve, ON/OFF with flow rate adjuster.

O.S. Number	Rated Voltage (Vac)	Connect. (inch)	DN	Maximum Operating Pressure (mbar)	Overall Dimensions (mm)				Power Cons. (W)	Enclosure	Weight (kg)	Bottom Plug	CPI switch	DIN
					A	B	C	D						
VE4010B1005	220 ... 240	3/8	10	360	72	121	52	85	14	IP54	1.1	-	-	-
VE4010B1013	110	3/8	10	360	72	121	52	85	14	IP54	1.1	-	-	-
VE8010B1027	24 ... 28 Vdc	3/8	10	360	72	121	52	85	17	IP54	1.1	-	-	-
VE8010B1019	24 ... 28 Vdc	3/8	10	360	72	121	52	85	17	IP65	1.1	-	-	-
VE8010B1001	24	3/8	10	360	72	121	52	85	14	IP54	1.1	-	-	-
VE4015B1004	220 ... 240	1/2	15	360	72	121	52	85	14	IP54	1.1	-	-	-
VE4015B1038	220 ... 240	1/2	15	360	72	121	52	85	14	IP65	1.1	-	-	-
VE4015B1061	220 ... 240	1/2	15	360	72	121	52	85	14	IP54	1.1	-	-	✓
VE4015B1012	110	1/2	15	360	72	121	52	85	14	IP54	1.1	-	-	-
VE4015B1053	110	1/2	15	360	72	121	52	85	14	IP65	1.1	-	-	-
VE8015B1026	24 ... 28 Vdc	1/2	15	360	72	121	52	85	17	IP54	1.1	-	-	-
VE8015B1018	24 ... 28 Vdc	1/2	15	360	72	121	52	85	17	IP65	1.1	-	-	-
VE8015B1000	24	1/2	15	360	72	121	52	85	14	IP54	1.1	-	-	-
VE8015B1034	24	1/2	15	360	72	121	52	85	14	IP65	1.1	-	-	-
VE4020B1004	220 ... 240	3/4	20	200	86	168	70	96	20	IP54	1.9	✓	-	-
VE4020B1046	220 ... 240	3/4	20	360	86	168	70	96	20	IP54	1.9	✓	-	-
VE4020B1012	110	3/4	20	200	86	168	70	96	18	IP54	1.9	✓	-	-
VE4020B1087	110	3/4	20	360	86	168	70	96	18	IP54	1.9	✓	-	-
VE4020B1061	110	3/4	20	200	86	168	70	96	18	IP65	1.9	✓	-	-
VE8020B1026	24 ... 28 Vdc	3/4	20	200	86	168	70	96	24	IP54	1.9	✓	-	-
VE8020B1000	24	3/4	20	200	86	168	70	96	21	IP54	1.9	✓	-	-
VE8020B1034	24	3/4	20	200	86	168	70	96	24	IP65	1.9	✓	-	-
VE4025B1003	220 ... 240	1	25	200	100	168	75	96	20	IP54	2.0	✓	-	-
VE4025B1045	220 ... 240	1	25	360	100	168	75	96	20	IP54	2.0	✓	-	-
VE4025B1011	110	1	25	200	100	168	75	96	18	IP54	2.0	✓	-	-
VE4025B1060	110	1	25	200	100	168	75	96	18	IP65	2.0	✓	-	-
VE4025B1078	110	1	25	360	100	168	75	96	18	IP54	2.0	✓	-	-
VE4025B1094	110	1	25	360	100	168	75	96	18	IP65	2.0	✓	✓	-
VE8025B1025	24 ... 28 Vdc	1	25	200	100	168	75	96	24	IP54	2.0	✓	-	-
VE8025B1041	24 ... 28 Vdc	1	25	200	100	168	75	96	24	IP65	2.0	✓	-	-
VE8025B1009	24	1	25	200	100	168	75	96	21	IP54	2.0	✓	-	-
VE8025B1017	24	1	25	360	100	168	75	96	21	IP65	2.0	✓	-	-
VE8025B1033	24	1	25	200	100	168	75	96	24	IP65	2.0	✓	-	-
VE4032B1009	220 ... 240	1 1/4	32	200	150	233	110	118	40	IP54	5.8	✓	-	-
VE4032B1041	220 ... 240	1 1/4	32	360	150	233	110	118	41	IP54	5.8	✓	-	-
VE4032B1017	110	1 1/4	32	200	150	233	110	118	47	IP54	5.8	✓	-	-
VE4032B1074	110	1 1/4	32	360	150	233	110	118	48	IP54	5.8	✓	-	-
VE8032B1013	24 ... 28 Vdc	1 1/4	32	200	150	233	110	118	67	IP54	5.8	✓	-	-
VE8032B1005	24	1 1/4	32	200	150	233	110	118	53	IP54	5.8	✓	-	-
VE4040B1002	220 ... 240	1 1/2	40	200	150	233	110	118	40	IP54	5.8	✓	-	-
VE4040B1044	220 ... 240	1 1/2	40	360	150	233	110	118	41	IP54	5.8	✓	-	-
VE4040B1010	110	1 1/2	40	200	150	233	110	118	47	IP54	5.8	✓	-	-
VE4040B1069	110	1 1/2	40	360	150	233	110	118	40	IP54	5.8	✓	-	-
VE4040B1093	110	1 1/2	40	360	150	233	110	118	40	IP65	5.8	✓	✓	-
VE8040B1024	24 ... 28 Vdc	1 1/2	40	200	150	233	110	118	67	IP54	5.8	✓	-	-
VE8040B1008	24	1 1/2	40	200	150	233	110	118	53	IP54	5.8	✓	-	-
VE4050B1001	220 ... 240	2	50	200	170	260	135	118	41	IP54	6.4	✓	-	-
VE4050B1043	220 ... 240	2	50	360	170	260	135	118	60	IP54	6.4	✓	-	-
VE4050B1019	110	2	50	200	170	260	135	118	48	IP54	6.4	✓	-	-
VE4050B1068	110	2	50	360	170	260	135	118	63	IP54	6.4	✓	-	-
VE4050B1084	110	2	50	360	170	260	135	118	63	IP65	6.4	✓	-	-
VE8050B1015	24 ... 28 Vdc	2	50	200	170	260	135	118	64	IP54	6.4	✓	-	-
VE8050B1007	24	2	50	200	170	260	135	118	48	IP54	6.4	✓	-	-
VE4065B1017	220 ... 240	2 1/2	65	200	242	238	200	149	62	IP54	6.4	✓	-	-
VE4065B1032	220 ... 240	2 1/2	65	360	242	238	200	163	118	IP54	6.4	✓	-	-
VE4065B1025	110	2 1/2	65	200	242	238	200	149	60	IP54	6.4	✓	-	-
VE4065B1041	110	2 1/2	65	360	242	238	200	163	125	IP54	6.4	✓	-	-
VE4080B1016	220 ... 240	3	80	200	242	238	200	163	118	IP54	6.4	✓	-	-
VE4080B1024	110	3	80	200	242	238	200	163	125	IP54	6.4	✓	-	-

VE4000 Series

CLASS "A" SOLENOID VALVE VE4000B3



FEATURES

- Normally Closed valve. (spring loaded valve disc, closed when de-energized).
- Adjustable flow rate regulator on top of the coil.
- Opening/closing time: <1 sec.
- Maximum working frequency: 20 cycles/min.
- 4 auxiliary pressure taps with Rp 1/4" threaded connections, 2 on the inlet pressure side and 2 on the outlet pressure side.
- Equipped at both sides with mounting holes to adapt a pilot solenoid valve combination Rp 1" (for DN100 Rp 3/4"), to allow either internal or external pilot gas. Optional mounting possibility to adapt an A4021A Valve Proving System.
- Coil field replaceable.
- Coil suitable for permanent energization.
- Coil turnable over 360°.
- Internal fine mesh screen (except DN100).

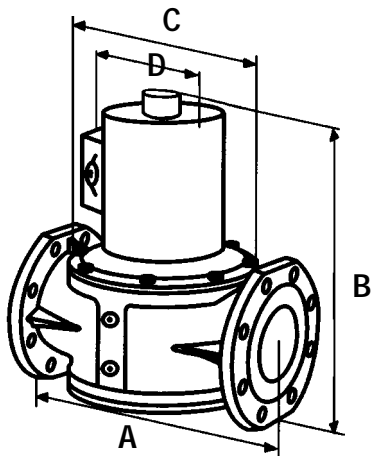


Fig. 3. Dimensional drawing VE4000B3 Series

APPLICATION

These series class "A" gas valves are used for control and regulation of gaseous fluids in gas power burners, atmospheric gas boilers, melting furnaces, incinerators and other gas consuming appliances.

SPECIFICATION

Model

VE4000B3

Dimensions

See figure and table below.

Pipe sizes

Inlet and outlet flange connection DN65, DN80 and DN100 according to PN16 ISO 7005-1.

Mounting and orientation

The valve may be assembled on the pipe line within plus or minus 90 degrees of the vertical axis and 30 cm. air space around the coil assy.

Capacity

See capacity curves VE4000 Series on page 67.

Maximum operating pressure:

DN65, DN80 and DN100 types, 200 or 360 mbar.

Torsion and bending stress

Pipe connections meet group 2, according to EN161, requirements

Supply voltage

Line voltage: 220 ... 240 Vac, 50/60 Hz
110 Vac, 50/60 Hz

Ambient temperature range

-15 ... 60 °C

Electrical connection

Plug connection according to PG11.

Coil insulation solenoid valves

Insulation material according to class F.

Enclosure

IP54
IP65 on request.

Valve body

Aluminium alloy die-cast

Strainer

AISI 303 steel.

Closing spring

AISI 302 steel.

Valve plunger

Chrome plated Fe 360B steel sliding on anti-friction bearing.

Seals and gaskets

Hydrocarbon resistant NBR rubber type.

Optional : Viton rubber type

Standards and Approvals

Class "A" valve in accordance with EN161 standards.

The VE4000 Series gas valves conform with the following EC directives:

- Gas Appliance Directive (90/396/EEC)
PIN: CE-0063AP3075/1
- Low Voltage Directive (73/23/EEC)
- Electro Magnetic Compatibility Directive (89/336/EEC)

Table 3. VE4000B3 Series, Class “A” Normally Closed solenoid valve, ON/OFF with flow rate adjuster and flanged body

O.S. Number	Rated Voltage (Vac)	Passing DN	Maximum Operating Pressure (mbar)	Overall Dimensions (mm)				Power Cons. (W)	Enclosure	Weight (kg)	Bottom Plug
				A	B	C	D				
VE4065B3005	220 ... 240	65	200	310	343	200	148	62	IP54	15	✓
VE4065B3039	220 ... 240	65	360	310	343	200	163	110	IP54	15	✓
VE4065B3013	110	65	200	310	343	200	148	60	IP54	15	✓
VE4065B3062	110	65	360	310	343	200	163	125	IP65	15	✓
VE4080B3004	220 ... 240	80	200	310	343	200	163	118	IP54	15	✓
VE4080B3012	110	80	200	310	343	200	163	125	IP54	15	✓
VE4080B3053	110	80	200	310	343	200	163	220	IP65	15	✓
VE4100B3000	220 ... 240	100	200	350	384	250	185	130	IP54	34.9	-
VE4100B3018	110	100	200	350	384	250	185	129	IP54	34.9	-

VE4000 Series

CLASS "A" SOLENOID VALVE VE4000C1



FEATURES

- Normally Closed valve. (spring loaded valve disc, closed when de-energized).
- Characterized opening from 1 to 30 seconds, step pressure and flow regulation on top of the coil.
- Closing time: <1 sec.
- Maximum working frequency: 1 cycles/min.
- Wrench boss as well on inlet side as on outlet side for pipe fitting incorporated in the valve housing.
- 2 Auxiliary pressure taps with Rp 1/4" threaded connections, both on the inlet pressure side.
- Coil field replaceable.
- Coil suitable for permanent energization.
- Coil turnable over 360°.
- Internal fine mesh screen.

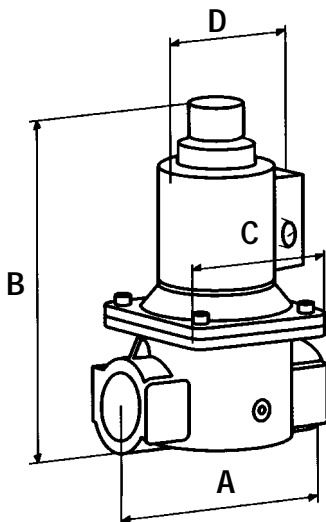


Fig. 4. Dimensional drawing VE4000C1 Series

APPLICATION

These series class "A" gas valves are used for control and regulation of gaseous fluids in gas power burners, atmospheric gas boilers, melting furnaces, incinerators and other gas consuming appliances.

SPECIFICATION

Model

VE4000C1

Dimensions

See figure and table below.

Pipe sizes

Inlet and outlet 3/8" up to 2" internal parallel pipe thread according to ISO 7-1.

Mounting and orientation

The valve may be assembled on the pipeline within plus or minus 90 degrees of the vertical axis and 30 cm. air space around the coil assy.

Capacity

See capacity curves VE4000 Series on page 66 and 67.

Maximum operating pressure

Rp 3/8" to Rp 2" types, 200 or 360 mbar

Torsion and bending stress

Pipe connections meet group 2, according to EN161 requirements

Supply voltage

Line voltage: 220 ... 240 Vac, 50/60 Hz
110 Vac, 50/60 Hz
24 Vac, 50/60 Hz
24 ... 28 Vdc

Ambient temperature range

-15 ... 60 °C

Electrical connection

Plug connection according to PG11.

Optional : Male DIN plug connector according to ISO4400

Coil insulation solenoid valves

Insulation material according to Class F.

Enclosure

IP54

IP65 on request.

Valve body

Aluminium alloy die-cast

Bottom plug

Rp 1/4" for Closed Position Indication (CPI) switch.

Strainer

AISI 303 steel

Closing spring

AISI 302 steel

Valve plunger

Chrome plated Fe 360B steel sliding on anti-friction bearing.

Seals and gaskets

Hydrocarbon resistant NBR rubber type

Optional : Viton rubber type

Standards and Approvals

Class "A" valve in accordance with EN161 standards.

The VE4000 Series gas valves conform with the following EC directives:

- Gas Appliance Directive (90/396/EEC)
PIN: CE-0063AP3075/1
- Low Voltage Directive (73/23/EEC)
- Electro Magnetic Compatibility Directive (89/336/EEC)

Table 4. VE4000C1 Series, Normally Closed solenoid valve, ON/OFF, with flow rate adjuster and characterized opening.

O.S. Number	Rated Voltage (Vac)	Connect. (inch)	DN	Maximum Operating Pressure (mbar)	Overall Dimensions (mm)				Power Cons. (W)	Enclosure	Weight (kg)	Bottom Plug	DIN	Viton
					A	B	C	D						
VE4010C1004	220 ... 240	3/8	10	200	72	168	52	85	14	IP54	1.2	-	-	-
VE4010C1038	220 ... 240	3/8	10	360	72	168	52	85	14	IP54	1.2	-	-	-
VE4010C1012	110	3/8	10	200	72	168	52	85	14	IP54	1.2	-	-	-
VE4010C1046	110	3/8	10	360	72	168	52	85	14	IP54	1.2	-	-	-
VE8010C1018	24 ... 28 Vdc	3/8	10	200	72	168	52	85	17	IP54	1.2	-	-	-
VE8010C1026	24 ... 28 Vdc	3/8	10	200	72	168	52	85	17	IP54	1.2	-	-	✓
VE8010C1000	24	3/8	10	200	72	168	52	85	14	IP54	1.2	-	-	-
VE4015C1003	220 ... 240	1/2	15	200	72	168	52	85	14	IP54	1.2	-	-	-
VE4015C1045	220 ... 240	1/2	15	360	72	168	52	85	14	IP54	1.2	-	-	-
VE4015C1060	220 ... 240	1/2	15	200	72	168	52	85	14	IP54	1.2	-	✓	-
VE4015C1011	110	1/2	15	200	72	168	52	85	14	IP54	1.2	-	-	-
VE4015C1052	110	1/2	15	360	72	168	52	85	14	IP54	1.2	-	-	-
VE8015C1017	24 ... 28 Vdc	1/2	15	200	72	168	52	85	17	IP54	1.2	-	-	-
VE8015C1025	24 ... 28 Vdc	1/2	15	200	72	168	52	85	17	IP54	1.2	-	-	✓
VE8015C1009	24	1/2	15	200	72	168	52	85	14	IP54	1.2	-	-	-
VE4020C1003	220 ... 240	3/4	20	200	86	200	70	96	14	IP54	2.3	✓	-	-
VE4020C1045	220 ... 240	3/4	20	360	86	200	70	96	20	IP54	2.3	✓	-	-
VE4020C1060	220 ... 240	3/4	20	200	86	200	70	96	20	IP54	2.3	✓	✓	-
VE4020C1011	110	3/4	20	200	86	200	70	96	18	IP54	2.3	✓	-	-
VE4020C1052	110	3/4	20	360	86	200	70	96	20	IP54	2.3	✓	-	-
VE8020C1017	24 ... 28 Vdc	3/4	20	200	86	200	70	96	24	IP54	2.3	✓	-	-
VE8020C1009	24	3/4	20	200	86	200	70	96	21	IP54	2.3	✓	-	-
VE4025C1002	220 ... 240	1	25	200	100	200	75	96	20	IP54	2.4	✓	-	-
VE4025C1077	220 ... 240	1	25	200	100	200	75	96	20	IP65	2.4	✓	-	-
VE4025C1085	220 ... 240	1	25	200	100	200	75	96	20	IP54	2.4	✓	✓	-
VE4025C1051	220 ... 240	1	25	360	100	200	75	96	20	IP54	2.4	✓	-	-
VE4025C1010	110	1	25	200	100	200	75	96	18	IP54	2.4	✓	-	-
VE4025C1069	110	1	25	360	100	200	75	96	18	IP54	2.4	✓	-	-
VE4025C1093	110	1	25	200	100	200	75	96	18	IP65	2.4	✓	-	-
VE8025C1016	24 ... 28 Vdc	1	25	200	100	200	75	96	24	IP54	2.4	✓	-	-
VE8025C1024	24 ... 28 Vdc	1	25	200	100	200	75	96	24	IP54	2.4	✓	-	✓
VE8025C1008	24	1	25	200	100	200	75	96	21	IP54	2.4	✓	-	-
VE4032C1008	220 ... 240	1 1/4	32	200	150	288	110	118	40	IP54	6.1	✓	-	-
VE4032C1032	220 ... 240	1 1/4	32	360	150	288	110	118	41	IP54	6.1	✓	-	-
VE4032C1016	110	1 1/4	32	200	150	288	110	118	48	IP54	6.1	✓	-	-
VE4032C1040	110	1 1/4	32	360	150	288	110	118	47	IP54	6.1	✓	-	-
VE8032C1012	24 ... 28 Vdc	1 1/4	32	200	150	288	110	118	67	IP54	6.1	✓	-	-
VE8032C1004	24	1 1/4	32	200	150	288	110	118	53	IP54	6.1	✓	-	-
VE4040C1001	220 ... 240	1 1/2	40	200	150	288	110	118	40	IP54	6.1	✓	-	-
VE4040C1076	220 ... 240	1 1/2	40	200	150	288	110	118	40	IP65	6.1	✓	-	-
VE4040C1084	220 ... 240	1 1/2	40	200	150	288	110	118	40	IP65	6.1	✓	✓	-
VE4040C1050	220 ... 240	1 1/2	40	360	150	288	110	118	41	IP54	6.1	✓	-	-
VE4040C1019	110	1 1/2	40	200	150	288	110	118	47	IP54	6.1	✓	-	-
VE4040C1068	110	1 1/2	40	360	150	288	110	118	48	IP54	6.1	✓	-	-
VE8040C1015	24 ... 28 Vdc	1 1/2	40	200	150	288	110	118	67	IP54	6.1	✓	-	-
VE8040C1023	24 ... 28 Vdc	1 1/2	40	200	150	288	110	118	67	IP54	6.1	✓	-	✓
VE8040C1007	24	1 1/2	40	200	150	288	110	118	53	IP54	6.1	✓	-	-
VE4050C1000	220 ... 240	2	50	200	170	304	135	118	41	IP54	6.7	✓	-	-
VE4050C1059	220 ... 240	2	50	360	170	304	135	118	60	IP54	6.7	✓	-	-
VE4050C1018	110	2	50	200	170	304	135	118	48	IP54	6.7	✓	-	-
VE4050C1067	110	2	50	360	170	304	135	118	63	IP54	6.7	✓	-	-
VE8050C1014	24 ... 28 Vdc	2	50	200	170	304	135	118	64	IP54	6.7	✓	-	-
VE8050C1022	24 ... 28 Vdc	2	50	200	170	304	135	118	64	IP54	6.7	✓	-	✓
VE8050C1006	24	2	50	200	170	304	135	118	48	IP54	6.7	✓	-	-

VE4000 Series

SAFETY RELIEF SOLENOID VALVE VE4000S1/2



FEATURES

- Normally Open valve.
(spring loaded valve disc, opened when de-energized)
- Non regulated ON/OFF.
- Closed Position Indication switch (optional for VE4000S1).
- Opening/closing time: <1 sec.
- Maximum working frequency: 20 cycles/min.
- Wrench boss as well on inlet side as on outlet side for pipe fitting incorporated in the valve housing.
- 2 Auxiliary pressure taps with Rp 1/4" threaded connections, both on the inlet pressure side.
- Coil field replaceable.
- Coil suitable for permanent energization.
- Coil turnable over 360°.
- Internal fine mesh screen.

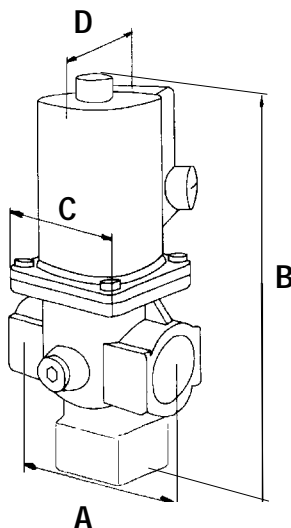


Fig. 5. Dimensional drawing VE4000S1/2 Series

APPLICATION

The VE4000S1 and VE4000S2 Series safety relief solenoid valves are used for safety and control of gaseous fluids in gas power burners, atmospheric gas boilers, melting furnaces, incinerators and other gas consuming appliances.

SPECIFICATION

Models

VE4000S1, without Closed Position Indication (CPI) switch
VE4000S2, with CPI switch

Dimensions

See figure and table below.

Pipe sizes

Inlet and outlet 3/4" and 1" internal parallel pipe thread according to ISO 7-1. The valve may be assembled on the pipeline within plus or minus 90 degrees of the vertical axis and 30 cm. air space around the coil assy.

Capacity

See capacity curves VE4000 Series on page 66.

Maximum operating pressure

200 or 360 mbar

Torsion and bending stress

Pipe connections meet group 2, according to EN161 requirements

Supply voltage

Line voltage: 220 ... 240 Vac, 50/60 Hz
110 Vac, 50/60 Hz
24 Vac, 50/60 Hz
24 ... 28 Vdc

Ambient temperature range

-15 ... 60 °C

Electrical connection

Plug connection according to PG11.

Optional : Male DIN plug connector according to ISO4400

Coil insulation solenoid valves

Insulation material according to class F.

Enclosure

IP54

IP65 on request

Valve body

Aluminium alloy die-cast

Bottom plug

Rp 1/4" for Closed Position Indication (CPI) switch.

Strainer

AISI 303 steel

Closing spring

AISI 302 steel

Valve plunger

Chrome plated Fe 360B steel sliding on anti-friction bearing.

Seals and gaskets

Hydrocarbon resistant NBR rubber type.

Optional : Viton rubber type

Standards and Approvals

Class "A" valve in accordance with EN161 standards.

The VE4000 Series gas valves conform with the following EC directives:

- Gas Appliance Directive (90/396/EEC)
PIN: CE-0063AP3075/1
- Low Voltage Directive (73/23/EEC)
- Electro Magnetic Compatibility Directive (89/336/EEC)