

Pressuretrol Controllers

L404A,B,C,D,F,N; L604 Pressuretrol® Controllers

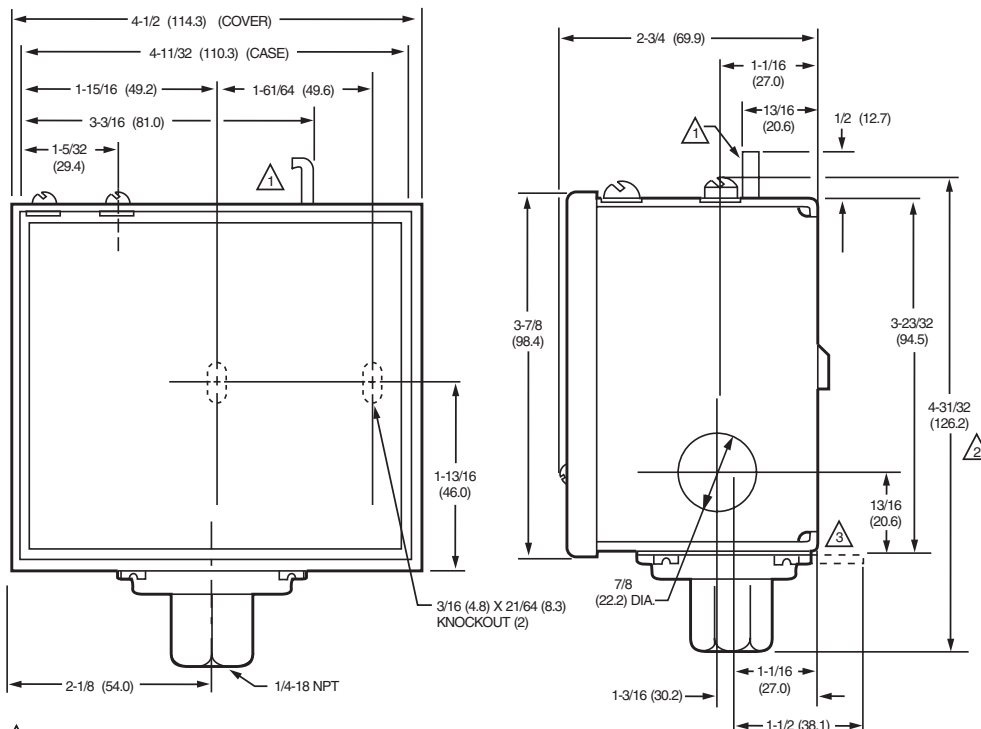


Provide operating control, automatic or manual reset limit protection for pressure systems up to 300 psi (2068 kPa)

- Use with steam, air, noncombustible gases, or other fluids noncorrosive to pressure sensing element.
- Provide dustproof, trouble-free mercury switching; L404F has snap-acting switching.
- Trip-free mechanism on manual reset models so the limit function of the controller cannot be defeated by jamming the reset lever.
- Adjustments are made by screws on top of case.
- Mount using 1/4 in. NPT female threads or surface mount through base of case.

Dimension Diagrams

L404A-D,F; L604A,L



1 RESET LEVER (ON MANUAL RESET MODELS ONLY.)

2 THIS DIMENSION IS 4-27/32 IN. (123.0 MM) ON L604 MODELS WITH A 2 TO 15 PSI (.14 TO 1.0 kg/cm² (14 TO 103 kPa)) OPERATING RANGE, AND 5-3/4 IN. (146.4 MM) ON L604 MODELS WITH A 20 TO 300 PSI (1.4 TO 20.7 kg/cm² (138 TO 2068 kPa)) OPERATING RANGE.

3 ONLY ON L604 MODELS WITH A 2 TO 15 PSI (.14 TO 1.0 kg/cm² (14 TO 103 kPa)) OPERATING RANGE.

M8933

Application: Provide control of steam, air, non-combustible gases or non-corrosive fluids

Differential Type: Subtractive

Mounting: 1/4 in. NPT internal thread or surface mount through back of case

Piping Connections, Main or High Pressure: 1/4 in. NPT internal thread

Temperature Ratings: -35 F to 150 F (-37 C to 66 C)

Approvals:

Canadian Standards Association: Certified: File No. LR1620, Guide No. 400-E-O

Industrial Risk Insurers: Acceptable

Underwriters Laboratories, Inc: Listed: File No. MP466, Guide No. MBPR

Switch Contact Ratings:

	120 Vac	120 Vdc	240 Vac	240 Vdc
L404A,B,C	8.0 AFL, 48.0 ALR, 10.0 A resistive	2.4 AFL, 24.0 ALR, 5.0 A resistive	5.1 AFL, 30.6 ALR, 5.0 A resistive	1.2 AFL, 12.0 ALR, 2.0 A resistive
L404F	8.0 AFL, 48.0 ALR, 10.0 A resistive	—	5.1 AFL, 30.6 ALR, 5.0 A resistive	—
L604A,L	8.0 AFL, 48.0 ALR, 10.0 A resistive	2.0 AFL, 20.0 ALR, 8.0 A resistive	5.1 AFL, 30.6 ALR, 5.0 A resistive	1.0 AFL, 10.0 ALR, 4.0 A resistive
L604N	8.0 AFL, 48.0 ALR	—	5.1 AFL, 30.6 ALR	—

Accessories:

33312B Pressure Control/Limits, Knurled Adjustment knob-with set screw. Fits head of main adjusting screw to permit adjusting without screwdriver.

Pressuretrol Controllers

4074BWJ Pressure Control/Limits, Limit Stop Assembly - to limit set point. Includes 129564 Range Stop, 107194 Range Stop Screw and 23466 Wrench.

Product Number	Operating Pressure Range		Pressure Differential		Maximum Sustained Operating Pressure		Switch Operation	Switching Action	Includes
	(psi)	(kPa)	(psi)	(kPa)	(psi)	(kPa)			
L404A1354	2 psi to 15 psi	14 kPa to 103 kPa	2 psi to 6 psi	14 kPa to 41 kPa	50 psi	345 kPa	Auto recycle	SPST break on pressure rise	—
L404A1370	5 psi to 50 psi	35 kPa to 345 kPa	4 psi to 12 psi	28 kPa to 83 kPa	85 psi	586 kPa	Auto recycle	SPST break on pressure rise	—
L404A1396	10 psi to 150 psi	69 kPa to 1034 kPa	8 psi to 16 psi	55 kPa to 110 kPa	225 psi	1551 kPa	Auto recycle	SPST break on pressure rise	—
L404A1404	20 psi to 300 psi	138 kPa to 2068 kPa	15 psi to 40 psi	103 kPa to 276 kPa	350 psi	2413 kPa	Auto recycle	SPST break on pressure rise	Siphon Loop
L404A1636	2 psi to 15 psi	14 kPa to 103 kPa	2 psi to 6 psi	14 kPa to 41 kPa	25 psi	345 kPa	Auto recycle	SPST break on pressure rise	—
L404B1296	2 psi to 15 psi	14 kPa to 103 kPa	2 psi to 6 psi	14 kPa to 41 kPa	50 psi	345 kPa	Auto recycle	SPST make on pressure rise	Siphon Loop
L404B1304	2 psi to 15 psi	14 kPa to 103 kPa	2 psi to 6 psi	14 kPa to 41 kPa	50 psi	345 kPa	Auto recycle	SPST make on pressure rise	—
L404B1320	5 psi to 50 psi	35 kPa to 345 kPa	4 psi to 12 psi	28 kPa to 83 kPa	85 psi	586 kPa	Auto recycle	SPST make on pressure rise	—
L404B1346	10 psi to 150 psi	69 kPa to 1034 kPa	8 psi to 16 psi	55 kPa to 110 kPa	225 psi	1551 kPa	Auto recycle	SPST make on pressure rise	—
L404B1353	20 psi to 300 psi	138 kPa to 2068 kPa	15 psi to 40 psi	103 kPa to 276 kPa	350 psi	2413 kPa	Aut recycle	SPST make on pressure rise	—
L404B1361	2 psi to 15 psi	14 kPa to 103 kPa	1 psi to 6 psi	7 kPa to 41 kPa	25 psi	172 kPa	Auto recycle	SPST make on pressure rise	—
L404B1577	2 psi to 15 psi	14 kPa to 103 kPa	1 psi to 6 psi	7 kPa to 41 kPa	25 psi	172 kPa	Auto recycle	SPST make on pressure rise	—
L404C1113	5 psi to 50 psi	35 kPa to 345 kPa	—	—	85 psi	586 kPa	Manual Reset	SPST break on pressure rise	Siphon Loop
L404C1139	20 psi to 300 psi	138 kPa to 2068 kPa	—	—	350 psi	2413 kPa	Manual Reset	SPST break on pressure rise	Siphon Loop
L404C1147	2 psi to 15 psi	14 kPa to 103 kPa	—	—	50 psi	345 kPa	Manual Reset	SPST break on pressure rise	—
L404C1154	5 psi to 50 psi	35 kPa to 345 kPa	—	—	85 psi	586 kPa	Manual Reset	SPST break on pressure rise	—
L404C1162	10 psi to 150 psi	69 kPa to 1034 kPa	—	—	225 psi	1551 kPa	Manual Reset	SPST break on pressure rise	—
L404F1060	2 psi to 15 psi	14 kPa to 103 kPa	2 psi to 6 psi	14 kPa to 41 kPa	25 psi	345 kPa	Auto recycle	SPDT snap action, make R-W, break R-B on pressure rise	Siphon Loop
L404F1078	5 psi to 50 psi	35 kPa to 345 kPa	6 psi to 14 psi	41 kPa to 97 kPa	85 psi	586 kPa	Auto recycle	SPDT snap action, make R-W, break R-B on pressure rise	Siphon Loop
L404F1094	20 psi to 300 psi	138 kPa to 2068 kPa	20 psi to 50 psi	138 kPa to 345 kPa	350 psi	2413 kPa	Auto recycle	SPDT snap action, make R-W, break R-B on pressure rise	Siphon Loop
L404F1102	10 psi to 150 psi	69 kPa to 1034 kPa	10 psi to 22 psi	60 kPa to 152 kPa	225 psi	1551 kPa	Auto recycle	SPDT snap action, make R-W, break R-B on pressure rise	—
L404F1227	10 psi to 150 psi	69 kPa to 1034 kPa	10 psi to 22 psi	60 kPa to 152 kPa	225 psi	1551 kPa	Auto recycle	SPDT snap action, make R-W, break R-B on pressure rise	BSPT ground screw and European Enclosure
L404F1235	20 psi to 300 psi	138 kPa to 2068 kPa	20 psi to 50 psi	138 kPa to 345 kPa	350 psi	2413 kPa	Auto recycle	SPDT snap action, make R-W, break R-B on pressure rise	BSPT ground screw and European Enclosure
L404F1243	5 psi to 50 psi	35 kPa to 345 kPa	6 psi to 14 psi	41 kPa to 97 kPa	85 psi	586 kPa	Auto recycle	SPDT snap action, make R-W, break R-B on pressure rise	BSPT ground screw and European Enclosure
L404F1300	60 psi to 180 psi	—	6 psi	41 kPa	225	1151 kPa	Auto recycle	SPDT snap action, make R-W, break R-B on pressure rise	BSPT ground screw and European Enclosure

Pressuretrol Controllers

Product Number	Operating Pressure Range		Pressure Differential		Maximum Sustained Operating Pressure		Switch Operation	Switching Action	Includes
	(psi)	(kPa)	(psi)	(kPa)	(psi)	(kPa)			
L604A1169	2 psi to 15 psi	14 kPa to 103 kPa	2 psi to 6 psi	14 kPa to 41 kPa	25 psi	172 kPa	Auto recycle	Isolated SPST (two) make R1-W Break R2-B on pressure rise	Siphon Loop
L604A1177	5 psi to 50 psi	35 kPa to 345 kPa	4 psi to 12 psi	28 kPa to 83 kPa	85 psi	586 kPa	Auto recycle	Isolated SPST (two) make R1-W Break R2-B on pressure rise	Siphon Loop
L604A1185	10 psi to 150 psi	69 kPa to 1034 kPa	8 psi to 16 psi	55 kPa to 110 kPa	225 psi	1551 kPa	Auto recycle	Isolated SPST (two) make R1-W Break R2-B on pressure rise	Siphon Loop
L604A1193	20 psi to 300 psi	138 kPa to 2068 kPa	15 psi to 40 psi	103 kPa to 276 kPa	350 psi	2413 kPa	Auto recycle	Isolated SPST (two) make R1-W Break R2-B on pressure rise	Siphon Loop
L604L1035	2 psi to 15 psi	14 kPa to 103 kPa	—	—	25 psi	172 kPa	Manual Reset	SPDT make R-W, break R-B on pressure rise	Siphon Loop
L604N1009	10 psi to 150 psi	69 kPa to 1034 kPa	7 psi	48.2 kPa	225 psi	1551 kPa	Auto recycle	SPDT (two) break R-B simultaneously	Siphon Loop
L404A1651	0.5 psi to 5.0 psi	.05 KGcm to .35 KGcm	—	—	5.0 psi	34.5 kPa	Auto recycle	SPST break on pressure rise	—